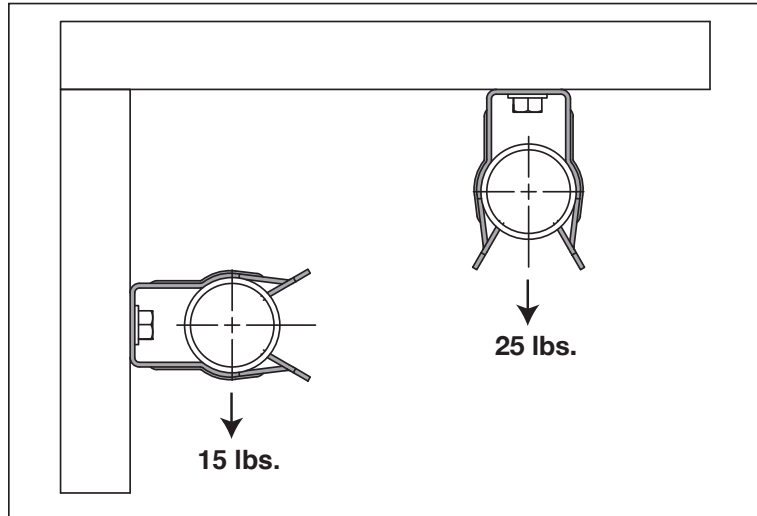
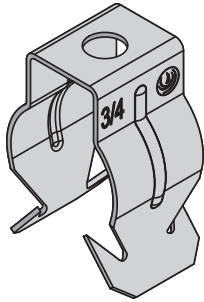


Available Finishes / Materials:

VG -- Phoenix Vanguard

Standard Finish: VG



- Eliminates need for conduit offset bending.
- For vertical or horizontal conduit and pipe applications.
- Simple Push-in design
- **Material:** Spring Steel
- **Finish:** Vanguard

Catalog No.	Mounting Hole	Conduit Size	Box Qty
CP8	9/32" Thru Hole	1/2" EMT	100
CP12	9/32" Thru Hole	3/4" EMT, 1/2", Rigid	100
CP16	9/32" Thru Hole	1" EMT, 3/4" Rigid	100

## Material Specifications and Finishes

### Spring Steel:

Cold Roll, ASTM A684 Grade 1055 Spring Steel

### VG – Phoenix Vanguard

Phoenix Vanguard coating is a multi-step process that meets the 1000 hour salt spray test per ASTM B117 and DIN 50021. **Vanguard coating is WEEE, ELV and RoHS compliant.** VG Finish is approved for wet and dry applications. It is a chrome free three step coating system that combines an inorganic zinc-rich basecoat with an aluminum-rich organic topcoat.

Note: Specifications subject to change without notice.

<b>Project:</b>	<b>Date:</b>	<b>Phone:</b>
<b>Submitted By:</b>	<b>Address:</b>	
<b>Comment</b>		