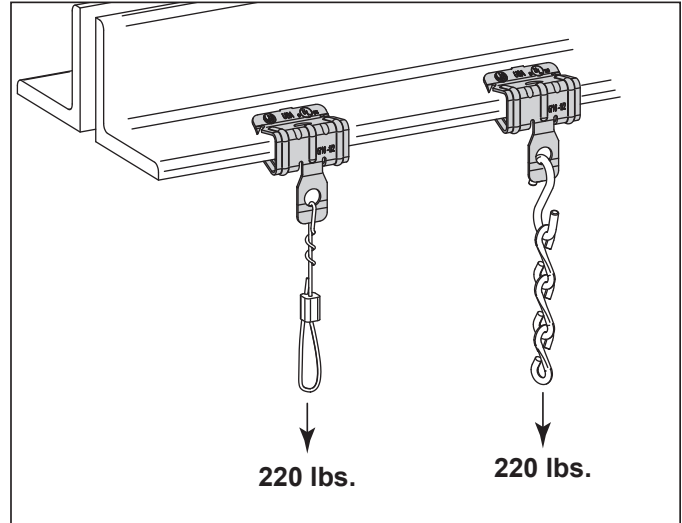
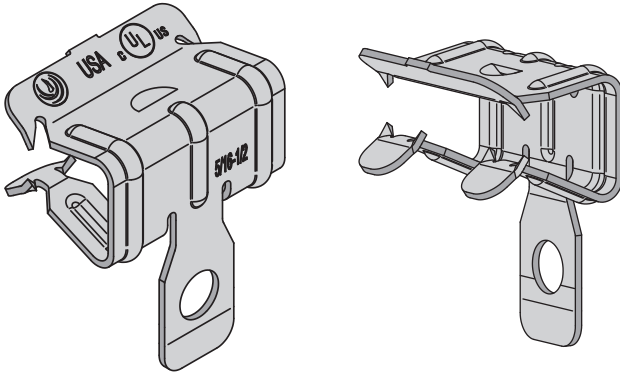


Available Finishes / Materials:

VG -- Phoenix Vanguard

Standard Finish: VG



Catalog No.	Flange Thickness	Hole Size	Box Qty
FS2-4	1/8" - 1/4"	9/32"	100
FS5-8	5/16" - 1/2"	9/32"	100
FS9-12	9/16" - 3/4"	9/32"	100

- Beam clamp with hole for supporting tie wire and jack chain to beam flanges.
- Only a hammer required for installation.
- **Material:** Spring Steel
- **Finish:** Vanguard

Material Specifications and Finishes

Spring Steel:

Cold Roll, ASTM A684 Grade 1055 Spring Steel

VG – Phoenix Vanguard

Phoenix Vanguard coating is a multi-step process that meets the 1000 hour salt spray test per ASTM B117 and DIN 50021. **Vanguard coating is WEEE, ELV and RoHS compliant.** VG Finish is approved for wet and dry applications. It is a chrome free three step coating system that combines an inorganic zinc-rich basecoat with an aluminum-rich organic topcoat.

Note: Specifications subject to change without notice.

Project:	Date:	Phone:
Submitted By:	Address:	
Comment		