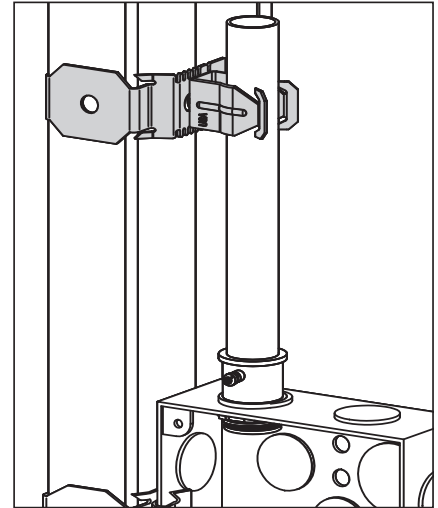
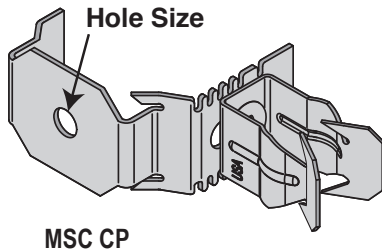


Available Finishes / Materials:

VG -- Phoenix Vanguard

Standard Finish: VG



- Supports pipe and conduit to studs.
- Hole provided for additional support.
- Use with STS8 screws, see page 72.
- **Material:** Spring Steel
- **Finish:** Vanguard

Catalog No.	Hole Size	Conduit Size	Box Qty
MSC CP8	9/32"	1/2" EMT	50
MSC CP12	9/32"	3/4" EMT, 1/2" Rigid	50
MSC CP16	9/32"	1" EMT, 3/4" Rigid	50

## Material Specifications and Finishes

### Spring Steel:

Cold Roll, ASTM A684 Grade 1055 Spring Steel

### VG – Phoenix Vanguard

Phoenix Vanguard coating is a multi-step process that meets the 1000 hour salt spray test per ASTM B117 and DIN 50021. **Vanguard coating is WEEE, ELV and RoHS compliant.** VG Finish is approved for wet and dry applications. It is a chrome free three step coating system that combines an inorganic zinc-rich basecoat with an aluminum-rich organic topcoat.

Note: Specifications subject to change without notice.

<b>Project:</b>	<b>Date:</b>	<b>Phone:</b>
<b>Submitted By:</b>	<b>Address:</b>	
<b>Comment</b>		