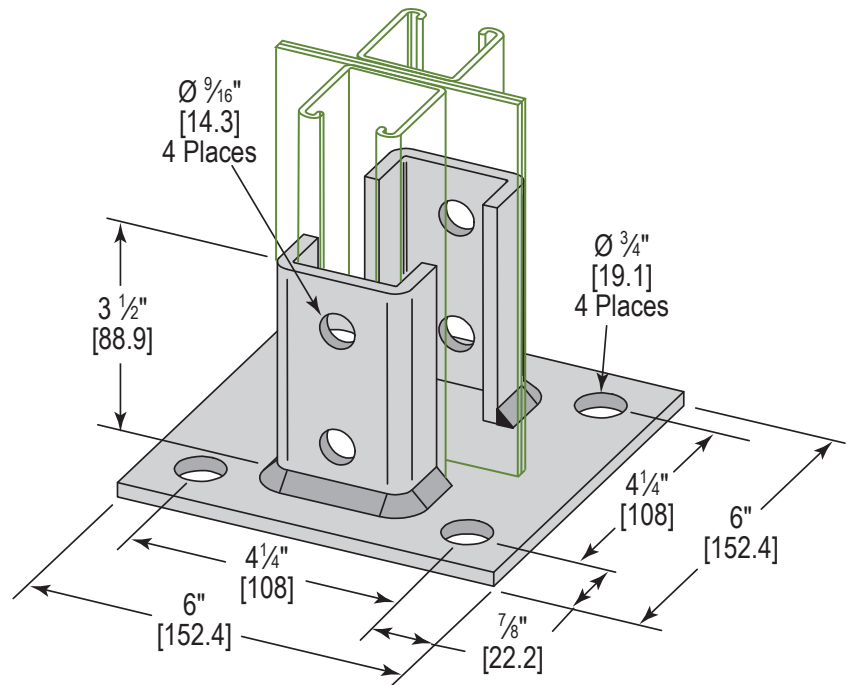


Available Finishes / Materials:
EG -- Electro-galvanized
Standard Finish: EG

Catalog Number: P30 0000EG
Weight: 3.88 Lbs.



Material is $1 \frac{5}{8}"$ [41.3] wide x $\frac{1}{4}"$ [6.3] thick unless specified. Holes are $\frac{9}{16}"$ (14.3) diameter, $\frac{13}{16}"$ [20.6] center to edge on $1 \frac{1}{8}"$ [47.6] centers unless specified.

Material Specifications and Finishes

Carbon Steel – ASTM A1011-00 SS GR 33 or ASTM A1011-00CS Type B

EG – Electro-Galvanized. Electroplating deposits zinc on the surface of the steel by electrolysis from a bath of zinc salts. Recommended for relatively dry indoor use. This is the standard coating for most Phoenix products. Thickness of applied zinc is between 0.2 mils to 0.5 mils [5.1 μm to 12.7 μm]. Coatings on Phoenix EG products meet ASTM B633 SC1 Type III.

Note: Specifications subject to change without notice.

Project:	Date:	Phone:
Submitted By:	Address:	
Comment		