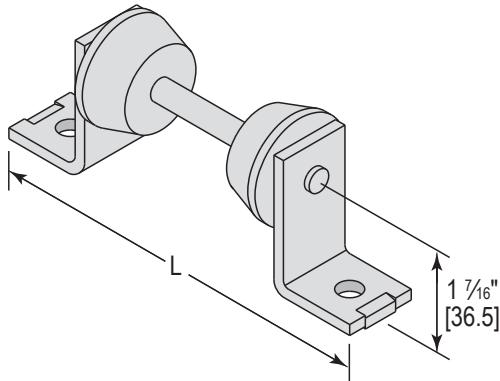


Available Finishes / Materials:  
 EG -- Electro-galvanized  
 Standard Finish: EG



Max load rating of 750 lbs. [3.34 kN] with 12ga channel  
 See next page for dimensions L and CL (Center Line)

Catalog Number	Wt. lbs	Pipe O.D.	
		in	mm
R21 3740EG	2.66	3¾ – 4	95 – 102
R21 4360EG	2.71	4¾ – 6	111 – 152
R21 6380EG	2.75	6¾ – 8	162 – 203
R21 9010EG	2.79	9 – 10	229 – 254

## Material Specifications and Finishes

Carbon Steel – ASTM A1011-00 SS GR 33 or ASTM A1011-00CS Type B  
 EG – Electro-Galvanized. Electroplating deposits zinc on the surface of the steel by electrolysis from a bath of zinc salts. Recommended for relatively dry indoor use.  
 This is the standard coating for most Phoenix products. Thickness of applied zinc is between 0.2 mils to 0.5 mils [5.1 µm to 12.7 µm]. Coatings on Phoenix EG products meet ASTM B633 SC1 Type III.

Note: Specifications subject to change without notice.

Pipe Size	Pipe Covering Thickness		Actual O.D. of Pipe + Shield + Insulation		Dimension L		Dimension CL	
	in	mm	in	mm	in	mm	in	mm
3½	0	0.0	4	101.6	7¼	184.2	4¾	111.1
	1¼	31.8	6⅝	168.3	9 ¼	235.0	5⅞	138.1
	1⅜	46.0	7⅞	187.3	9 ¼	235.0	5⅞	147.6
	2¼	57.2	8⅝	219.1	10⅞	257.2	6⅞	161.9
	2¾	69.9	9⅜	238.1	10⅞	257.2	6¾	171.5
	3⅝	84.1	10¾	273.1	10⅞	276.2	7⅞	187.3
4	0	0.0	4½	114.3	8¼	209.6	4½	114.3
	1⅞	27.0	7⅞	181.0	9 ¼	235.0	5⅞	144.5
	1⅞	39.7	8⅞	206.4	10⅞	257.2	6⅞	154.0
	2⅞	52.4	9 ⅞	231.8	10⅞	257.2	6⅞	168.3
	2⅞	65.1	10	254.0	10⅞	257.2	7⅞	179.4
	3⅞	77.8	11¼	285.8	10⅞	276.2	7⅞	193.7
	4⅞	103.2	13	330.2	10⅞	276.2	8⅞	217.5
5	0	0.0	5⅝	142.9	8¼	209.6	5⅞	128.6
	1	25.4	8¼	209.6	10⅞	257.2	6⅞	155.6
	1½	38.1	9⅜	238.1	10⅞	257.2	6¾	171.5
	2	50.8	10⅜	263.5	10⅞	276.2	7⅞	181.0
	2⅞	65.1	11¼	285.8	10⅞	276.2	7⅞	193.7
	3⅞	77.8	12⅜	314.3	10⅞	276.2	8⅞	206.4
6	4⅞	106.4	14¼	362.0	10⅞	276.2	9⅞	233.4
	0	0.0	6⅝	168.3	9 ¼	235.0	5⅞	138.1
	1	25.4	9	228.6	10⅞	257.2	6⅞	166.7
	1½	38.1	10⅞	257.2	10⅞	276.2	7	177.8
	2	50.8	11	279.4	10⅞	276.2	7½	190.5
	2½	63.5	12⅜	314.3	10⅞	276.2	8⅞	208.0
8	3	76.2	13½	342.9	10⅞	276.2	8⅞	219.1
	4⅞	104.8	15⅞	384.2	10⅞	276.2	9⅞	246.1
	0	0.0	8⅝	219.1	10⅞	257.2	6⅞	161.9
	1½	38.1	12	304.8	10⅞	276.2	8	203.2
	2	50.8	13	330.2	10⅞	276.2	8⅞	217.5
	2⅞	68.3	14½	368.3	10⅞	276.2	9⅞	236.5
8	3⅞	79.4	15⅜	390.5	10⅞	276.2	9⅞	249.2
	4⅞	106.4	17⅜	441.3	10⅞	276.2	10⅞	276.2

<b>Project:</b>	<b>Date:</b>	<b>Phone:</b>
<b>Submitted By:</b>	<b>Address:</b>	
<b>Comment</b>		