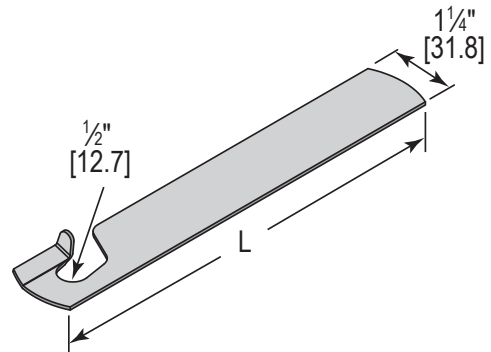
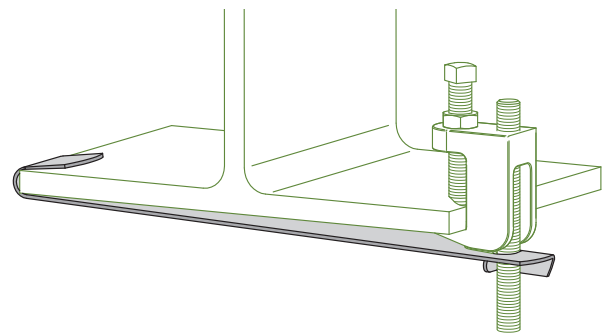


Available Finishes / Materials:
 PG -- Pre-Galvanized zinc
 Standard Finish: PG



Catalog Number	Gauge	Beam Size		Length		Wt. lbs
		In.	mm	In.	mm	
RBS 0600PG	16 Gauge (0.054 - 0.065")	6"	152	8"	203	0.158
RBS 0800PG		8"	203	10"	254	0.204
RBS 1000PG		10"	254	12"	305	0.249
RBS 1200PG		12"	305	14"	356	0.295
RBS 1400PG		14"	356	16"	406	0.340



Material Specifications and Finishes

Carbon Steel – ASTM A1011-00 SS GR 33 or ASTM A1011-00CS Type B
 PG – ASTM A653 G-90 Pre-galvanized zinc is produced by continuously rolling steel coils or sheets through molten zinc at the mills. The coils or sheets are slit to size and fabricated by forming, shearing or punching to produce the finished product. During fabrication cut edges are not generally zinc coated; however, the zinc near the uncoated metal becomes a sacrificial anode to protect the bare areas.

Note: Specifications subject to change without notice.

Project:	Date:	Phone:
Submitted By:	Address:	
Comment		