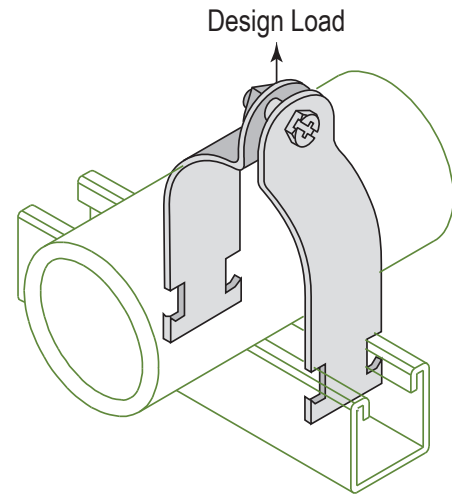


Available Finishes / Materials:

- EG -- Electro-galvanized
- HD -- Hot dipped galvanized
- S4 -- 304 stainless steel
- S6 -- 316 stainless steel
- YC -- Yellow chromate

Standard Finish: EG

Catalog Number	EMT Size		O.D.		Design Load		Wt. lbs
	in	mm	in	mm	lbs	kN	
SCE0037EG	3/8	10	0.557	14.2	400	1.78	0.09
SCE0050EG	1/2	15	0.706	17.9	400	1.78	0.10
SCE0075EG	3/4	20	0.922	23.4	400	1.78	0.11
SCE0100EG	1	25	1.163	29.5	600	2.67	0.14
SCE0125EG	1 1/4	32	1.510	38.4	600	2.67	0.16
SCE0150EG	1 1/2	40	1.740	44.2	800	3.56	0.26
SCE0200EG	2	50	2.197	55.8	800	3.56	0.32



Material Specifications and Finishes

Carbon Steel – ASTM A1011-00 SS GR 33 or ASTM A1011-00CS Type B

EG – Electro-Galvanized. Electroplating deposits zinc on the surface of the steel by electrolysis from a bath of zinc salts. Recommended for relatively dry indoor use. This is the standard coating for most Phoenix products. Thickness of applied zinc is between 0.2 mils to 0.5 mils [5.1 µm to 12.7 µm]. Coatings on Phoenix EG products meet ASTM B633 SC1 Type III.

HD – Hot Dip Galvanized After Fabrication. Fabricated product is dipped in molten zinc and is completely covered on all surfaces. Recommended for outdoor use. Coatings on Phoenix HD products meet ASTM A123/153. The zinc coating is typically 2.6 mils [66.0 µm] or 1.5 oz. per square foot [0.46 kg per square meter] per side.

S4 – 304 Stainless Steel – ASTM A240 (Type 304)

S6 – 316 Stainless Steel – ASTM A240 (Type 316),
 316 Stainless Steel Nuts – ASTM A276-03

YC – Yellow Zinc Dichromate. A 0.5 mil [12.7 µm] electro-galvanized zinc plating meeting ASTM B633 SC1 Type III is applied to the surface of the metal. Yellow Dichromate is applied over the zinc. This results in a yellowish gold appearance and acts as a nonporous barrier sealant that is corrosion resistant and can be painted.

Note: Specifications subject to change without notice.

Project:	Date:	Phone:
Submitted By:	Address:	
Comment		