

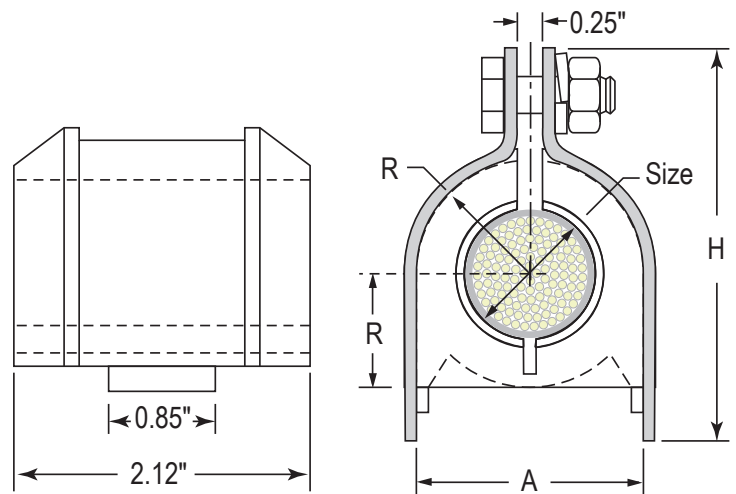
Available Finishes / Materials:

- EG -- Electro-galvanized
- S4 -- 304 stainless steel
- S6 -- 316 stainless steel

Standard Finish: EG

Replaces Porcelain and Maple Cable Clamp. Assembly consists of thermoplastic elastomer cushion with plated or stainless steel clamp. Plated steel and stainless are both supplied with Silicon Bronze bolt and nut.

- Non-breakable material
- Chemical and UV resistant
- **U.L. Listed** - Burning stops within 10 seconds after two applications of ten seconds each of a flame to a test bar with no flaming drips.
- Plated Steel, or Stainless steel clamps
- Tapered flange to protect cable
- Dielectric strength 640 volts per mil
- One piece cushion design, available with Flame retardant / Halogen Free cushions
- Silicon Bronze Hardware used to Breakup the Magnetic field around the Cable at the Clamping Location.



Material Specifications and Finishes

- Carbon Steel – ASTM A1011-00 SS GR 33 or ASTM A1011-00CS Type B
- EG – Electro-Galvanized. Electroplating deposits zinc on the surface of the steel by electrolysis from a bath of zinc salts. Recommended for relatively dry indoor use. This is the standard coating for most Phoenix products. Thickness of applied zinc is between 0.2 mils to 0.5 mils [5.1 µm to 12.7 µm]. Coatings on Phoenix EG products meet ASTM B633 SC1 Type III.
- S4 – 304 Stainless Steel – ASTM A240 (Type 304)
- S6 – 316 Stainless Steel – ASTM A240 (Type 316),
316 Stainless Steel Nuts – ASTM A276-03

Note: Specifications subject to change without notice.

Project:	Date:	Phone:
Submitted By:	Address:	
Comment		

The hinged cushion allows easy installation of the wire, but the components will not get separated and lost or broken.

Part No.	Dimensions (Inches)			Total Assy. Height - H
	Hole Size.	A	R	
SCP 0037EG	3/8	1.12	0.56	1.82
SCP 0050EG	1/2	1.12	0.56	1.82
SCP 0062EG	5/8	1.12	0.56	1.82
SCP 0075EG	3/4	1.62	0.81	2.34
SCP 0087EG	7/8	1.62	0.81	2.34
SCP 0100EG	1	1.62	0.81	2.34
SCP 0112EG	1-1/8	1.62	0.81	2.34
SCP 0125EG	1-1/4	2.12	1.06	2.86
SCP 0137EG	1-3/8	2.12	1.06	2.86
SCP 0150EG	1-1/2	2.12	1.06	2.86
SCP 0162EG	1-5/8	2.12	1.06	2.86
SCP 0175EG	1-3/4	2.62	1.31	3.50
SCP 0187EG	1-7/8	2.62	1.31	3.50
SCP 0200EG	2	2.62	1.31	3.50
SCP 0212EG	2-1/8	2.62	1.31	3.50
SCP 0225EG	2-1/4	3.12	1.56	4.05
SCP 0237EG	2-3/8	3.12	1.56	4.05
SCP 0250EG	2-1/2	3.12	1.56	4.05
SCP 0262EG	2-5/8	3.12	1.56	4.05
SCP 0275EG	2-3/4	3.62	1.81	4.75
SCP 0287EG	2-7/8	3.62	1.81	4.75
SCP 0300EG	3	3.62	1.81	4.75
SCP 0312EG	3-1/8	3.62	1.81	4.75
SCP 0325EG	3-1/4	4.12	2.06	5.125
SCP 0337EG	3-3/8	4.12	2.06	5.125
SCP 0350EG	3-1/2	4.12	2.06	5.125
SCP 0362EG	3-5/8	4.12	2.06	5.125
SCP 0375EG	3-3/4	4.62	2.31	5.54
SCP 0387EG	3-7/8	4.62	2.31	5.54
SCP 0400EG	4	4.62	2.31	5.54
SCP 0412EG	4-1/8	4.62	2.31	5.54
SCP 0425EG	4-1/4	5.00	2.50	5.92
SCP 0437EG	4-3/8	5.00	2.50	5.92
SCP 0450EG	4-1/2	5.00	2.50	5.92

