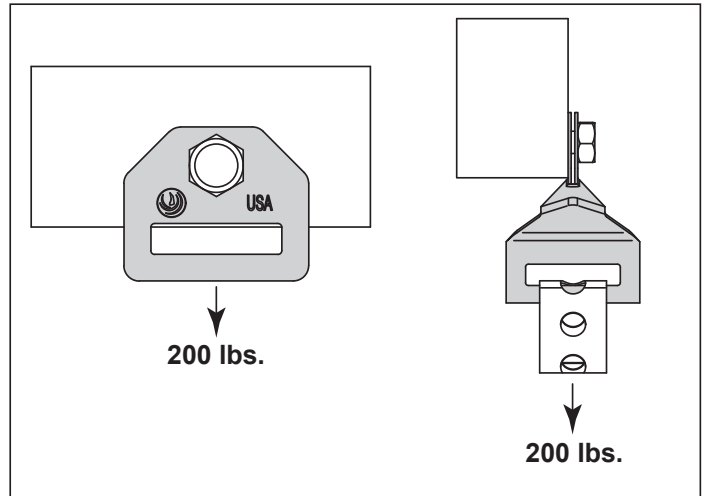
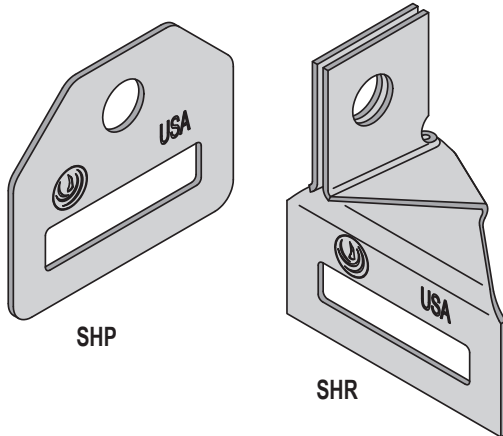


Available Finishes / Materials:

VG -- Phoenix Vanguard

Standard Finish: VG



- Supports pipe or duct with strapping.
- Fits strap up to 1" wide.
- **Material:** Spring Steel
- **Finish:** Vanguard

Catalog No.	Hole size	Box Qty
SHP	9/32"	100
SHR	9/32"	100

Material Specifications and Finishes

Spring Steel:

Cold Roll, ASTM A684 Grade 1055 Spring Steel

VG – Phoenix Vanguard

Phoenix Vanguard coating is a multi-step process that meets the 1000 hour salt spray test per ASTM B117 and DIN 50021. **Vanguard coating is WEEE, ELV and RoHS compliant.** VG Finish is approved for wet and dry applications. It is a chrome free three step coating system that combines an inorganic zinc-rich basecoat with an aluminum-rich organic topcoat.

Note: Specifications subject to change without notice.

Project:	Date:	Phone:
Submitted By:	Address:	
Comment		