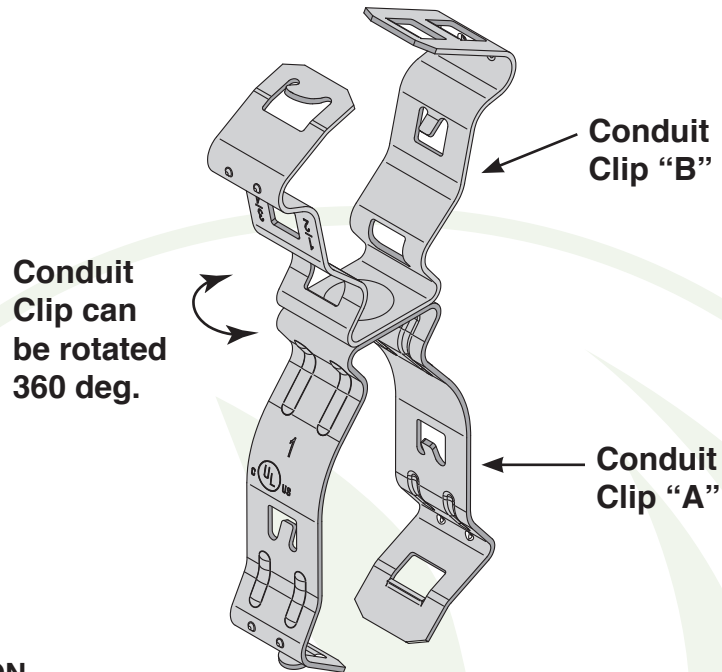


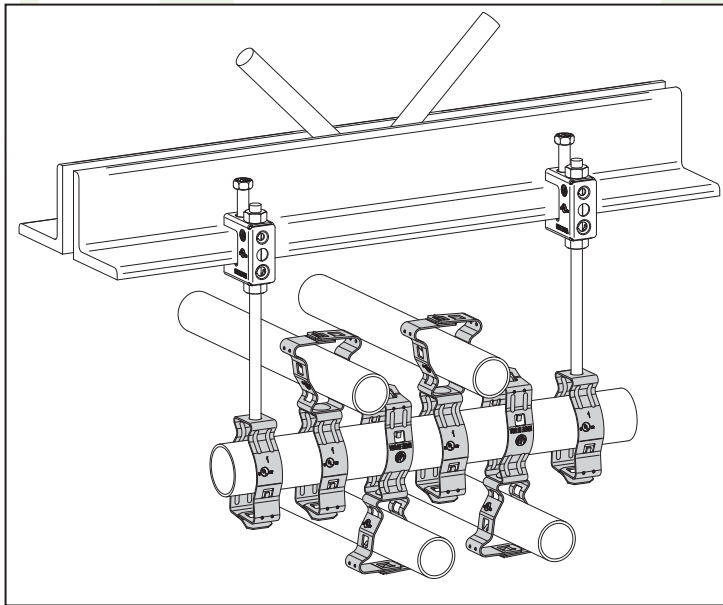
# Installation and Instruction Sheets

## C C - CONDUIT CLIP WITH CONDUIT CLIP

SHEET: 1 OF 2



### TYPICAL INSTALLATION



Catalog Number	Conduit Clip A	Conduit Clip B
C16 C8-12	1" EMT, Rigid	1/2" EMT, IMC, Rigid 3/4" EMT, IMC, Rigid
C16 C16	1" EMT, Rigid	1" EMT, Rigid
C16 C20	1" EMT, Rigid	1-1/4" EMT, Rigid
C16 C24	1" EMT, Rigid	1-1/2" EMT, Rigid
C16 C32	1" EMT, Rigid	2" EMT, Rigid



#### Notes:

- For wet or dry applications.
- Total load of trapeze must not exceed 120 lbs.
- For support of conduit per NEC 344.30(B).

Revision: 3



**PHOENIX**  
SUPPORT SYSTEMS

[www.phoenixsupports.com](http://www.phoenixsupports.com) • 800-721-0404

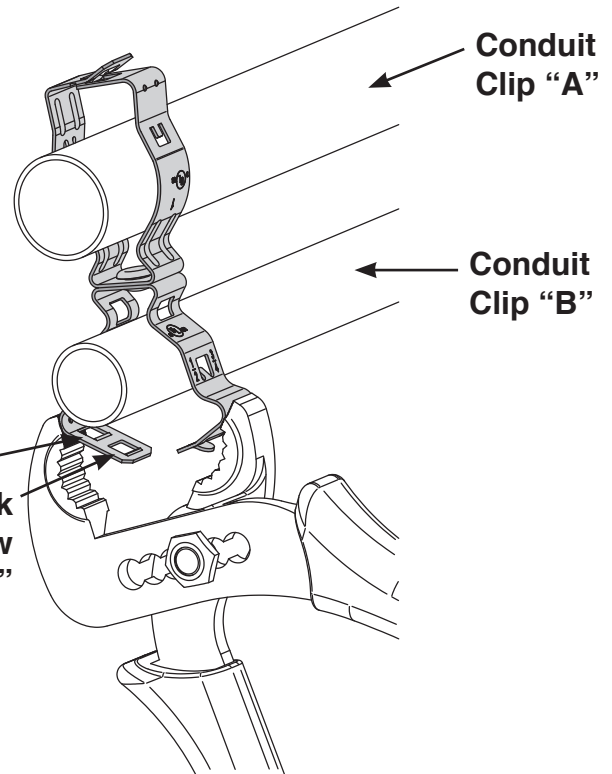
**CUSTOMER RESPONSIBILITIES:** At a minimum the customer(s) is responsible for using industry standard hardware and fasteners, inspecting the structural integrity of the structure to which Phoenix Support Systems products will be attached, conforming to all governing codes and regulations at the job site and following all safety precautions related to the work being performed.

**WARNING:** Phoenix Support Systems products must never be used for purposes other than those for which they were designed or in any way that exceeds published load ratings. All load ratings are for static conditions and do not account for dynamic loading such as wind, water or seismic loads. Phoenix Support Systems products must be installed and used only as indicated in Phoenix Support Systems installation and instruction sheets. Improper installation, misuse, misapplication or any other failure to completely follow Phoenix Support System's instructions could lead to decreased load rating, product failure, property damage, injury or even death.

**STEP 1 & 2:**

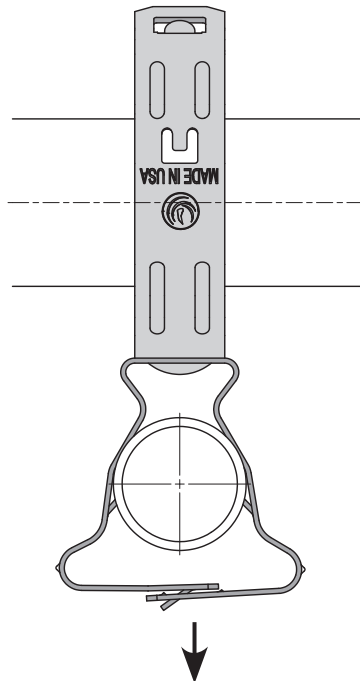
**Step 1: Fit 1" EMT or rigid conduit into conduit clip A, and lock clip with fingers or pliers.**

**Step 2: Fit conduit into conduit clip B. Lock clip per chart below using fingers or pliers.**



	Lock Window "A"	Lock Window "B"
Conduit Size	1/2" Rigid 3/4" EMT, IMC, Rigid	1/2" EMT, IMC
	1" EMT, Rigid	N/A
	1-1/4" Rigid	1-1/4" EMT
	1-1/2" Rigid	1-1/2" EMT
	2" Rigid	2" EMT

**LOAD RATINGS:**



**Static load of all sizes = 120 lbs.**

Phoenix Support Systems  
 931 Summit Avenue  
 Niles, Ohio 44446, USA  
 Fax: 330-505-9959



Tel: 800-721-0404

www.phoenixsupports.com

