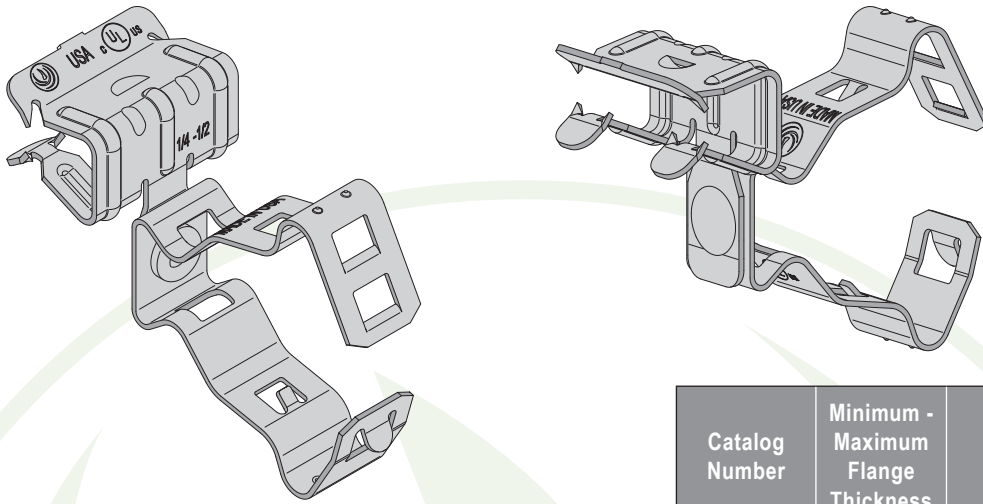


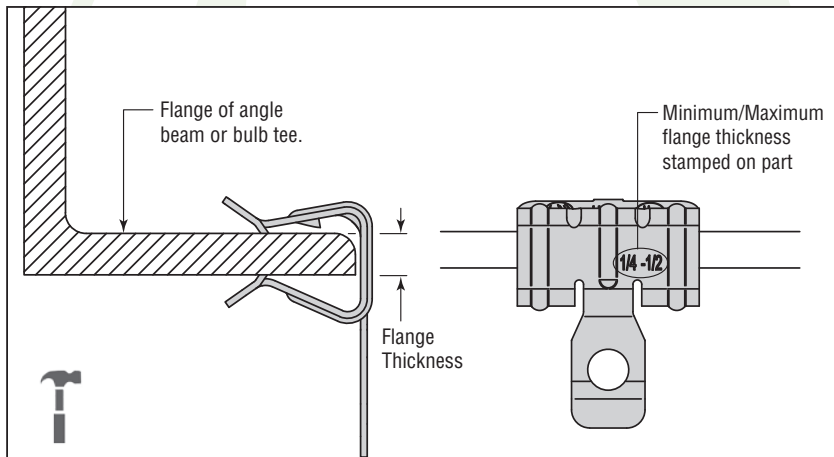
# Installation and Instruction Sheets

## FS C - FLANGE CLIP HAMMER ON SIDE MOUNT WITH CONDUIT CLIP

SHEET: 1 OF 2



### FS C INSTALLATION



Verify flange thickness. Tap onto flange with hammer (use wood block when installing on bulb tees)

#### WARNING:

Excessive hammer force may damage or break clip

#### Notes:

- Not to be used on tapered flanges.
- See Sheet 2 for common installation and load rating.
- For wet or dry applications.
- Hammer-on flange hangers are for single use only.
- For support of conduit per NEC 344.30(B).

Revision: R4

Catalog Number	Minimum - Maximum Flange Thickness	Conduit Size
FS2-4 C8-12	1/8" - 1/4"	1/2" & 3/4" EMT, IMC, Rigid
FS5-8 C8-12	5/16" - 1/2"	1/2" & 3/4" EMT, IMC, Rigid
FS9-12 C8-12	9/16" - 3/4"	1/2" & 3/4" EMT, IMC, Rigid
FS2-4 C16	1/8" - 1/4"	1" EMT, Rigid
FS5-8 C16	5/16" - 1/2"	1" EMT, Rigid
FS9-12 C16	9/16" - 3/4"	1" EMT, Rigid
FS2-4 C20	1/8" - 1/4"	1-1/4" EMT, Rigid
FS5-8 C20	5/16" - 1/2"	1-1/4" EMT, Rigid
FS9-12 C20	9/16" - 3/4"	1-1/4" EMT, Rigid
FS2-4 C24	1/8" - 1/4"	1-1/2" EMT, Rigid
FS5-8 C24	5/16" - 1/2"	1-1/2" EMT, Rigid
FS9-12 C24	9/16" - 3/4"	1-1/2" EMT, Rigid
FS2-4 C32	1/8" - 1/4"	2" EMT, Rigid
FS5-8 C32	5/16" - 1/2"	2" EMT, Rigid
FS9-12 C32	9/16" - 3/4"	2" EMT, Rigid



Made in USA



**PHOENIX**  
SUPPORT SYSTEMS

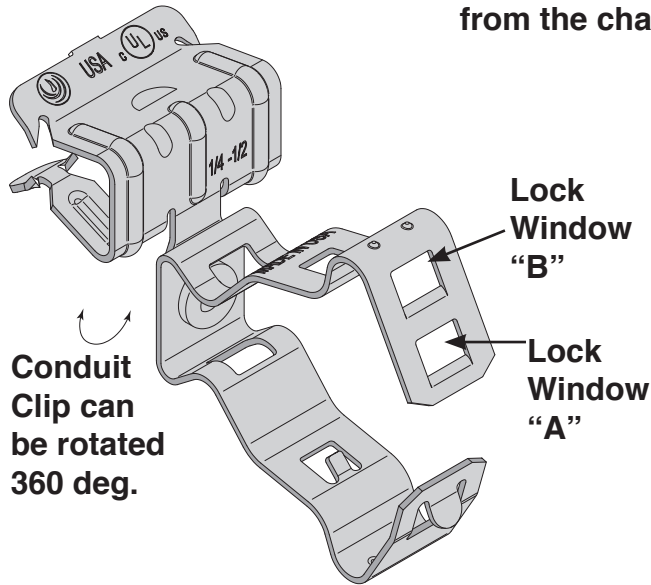
[www.phoenixsupports.com](http://www.phoenixsupports.com) • 800-721-0404

**CUSTOMER RESPONSIBILITIES:** At a minimum the customer(s) is responsible for using industry standard hardware and fasteners, inspecting the structural integrity of the structure to which Phoenix Support Systems products will be attached, conforming to all governing codes and regulations at the job site and following all safety precautions related to the work being performed.

**WARNING:** Phoenix Support Systems products must never be used for purposes other than those for which they were designed or in any way that exceeds published load ratings. All load ratings are for static conditions and do not account for dynamic loading such as wind, water or seismic loads. Phoenix Support Systems products must be installed and used only as indicated in Phoenix Support Systems installation and instruction sheets. Improper installation, misuse, misapplication or any other failure to completely follow Phoenix Support System's instructions could lead to decreased load rating, product failure, property damage, injury or even death.

**STEP 1:**

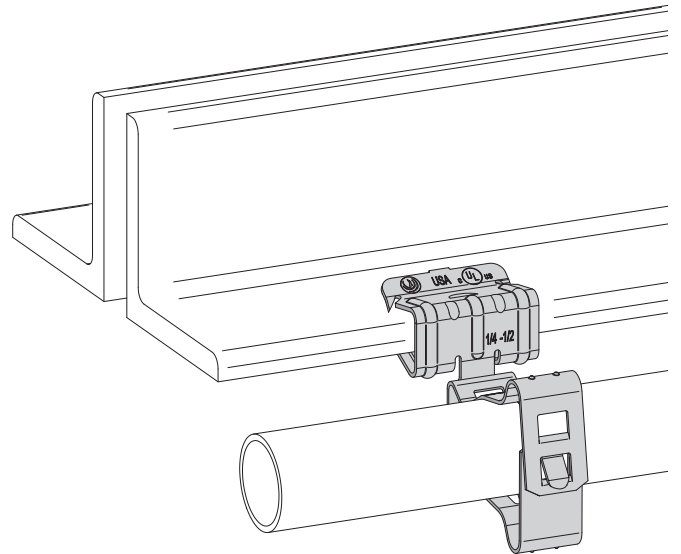
Verify lock window from the chart



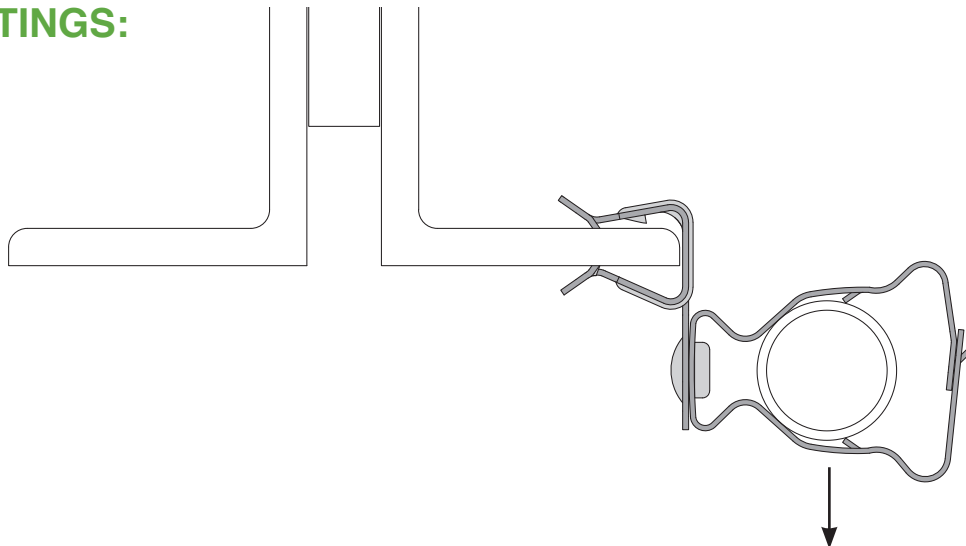
	Lock Window "A"	Lock Window "B"
Conduit Size	1/2" Rigid	1/2" EMT, IMC
	3/4" EMT, IMC, Rigid	1/2" EMT, IMC
	1" EMT, Rigid	N/A
	1-1/4" Rigid	1-1/4" EMT
	1-1/2" Rigid	1-1/2" EMT
	2" Rigid	2" EMT

**STEP 2:**

Fit conduit into clip. Lock clip using fingers or pliers.



**LOAD RATINGS:**



Static load of all sizes = 30 lbs.

Phoenix Support Systems  
 931 Summit Avenue  
 Niles, Ohio 44446, USA  
 Fax: 330-505-9959



**PHOENIX**  
 SUPPORT SYSTEMS

Tel: 800-721-0404

www.phoenixsupports.com

