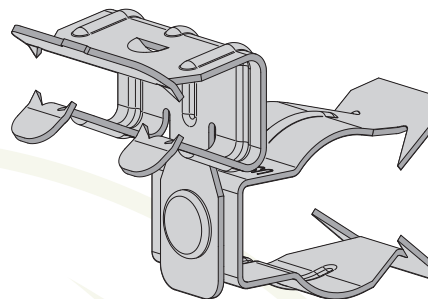
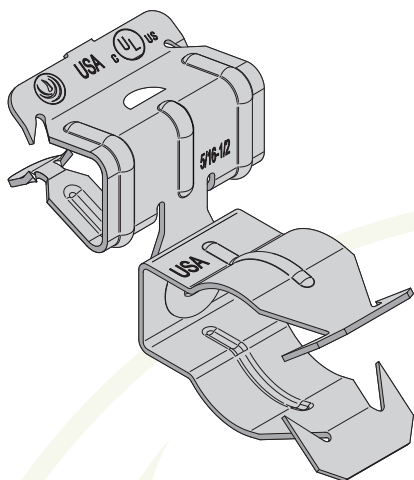


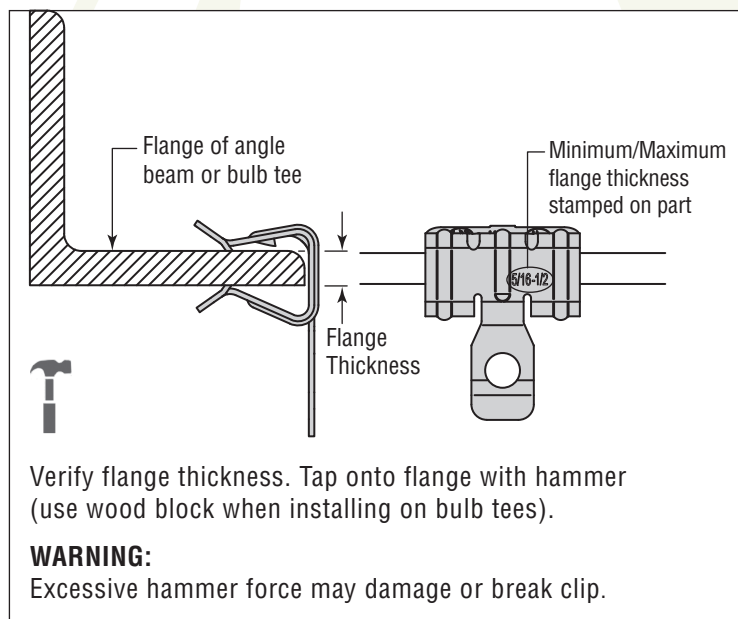
# Installation and Instruction Sheets

FS CP - FLANGE CLIP HAMMER ON SIDE MOUNT WITH CONDUIT "PUSH IN" CLIP

SHEET: 1 OF 2  
PCIFUFSCP - R1



## FS CP INSTALLATION



| Catalog Number | Minimum - Maximum Flange Thickness | Conduit Size             |
|----------------|------------------------------------|--------------------------|
| FS2-4 CP8      | 1/8" - 1/4"                        | 1/2" EMT                 |
| FS5-8 CP8      | 5/16" - 1/2"                       | 1/2" EMT                 |
| FS9-12 CP8     | 9/16" - 3/4"                       | 1/2" EMT                 |
| FS2-4 CP12     | 1/8" - 1/4"                        | 3/4" EMT, 1/2" Rigid/IMC |
| FS5-8 CP12     | 5/16" - 1/2"                       | 3/4" EMT, 1/2" Rigid/IMC |
| FS9-12 CP12    | 9/16" - 3/4"                       | 3/4" EMT, 1/2" Rigid/IMC |
| FS2-4 CP16     | 1/8" - 1/4"                        | 1" EMT, 3/4" Rigid/IMC   |
| FS5-8 CP16     | 5/16" - 1/2"                       | 1" EMT, 3/4" Rigid/IMC   |
| FS9-12 CP16    | 9/16" - 3/4"                       | 1" EMT, 3/4" Rigid/IMC   |



Made in USA

### Notes:

- Not to be used on tapered flanges.
- See Sheet 2 for common installations and load rating.
- For wet or dry applications.
- Hammer-on flange hangers are for single use only.
- For support of conduit per NEC 344.30(B).

Revision: R1



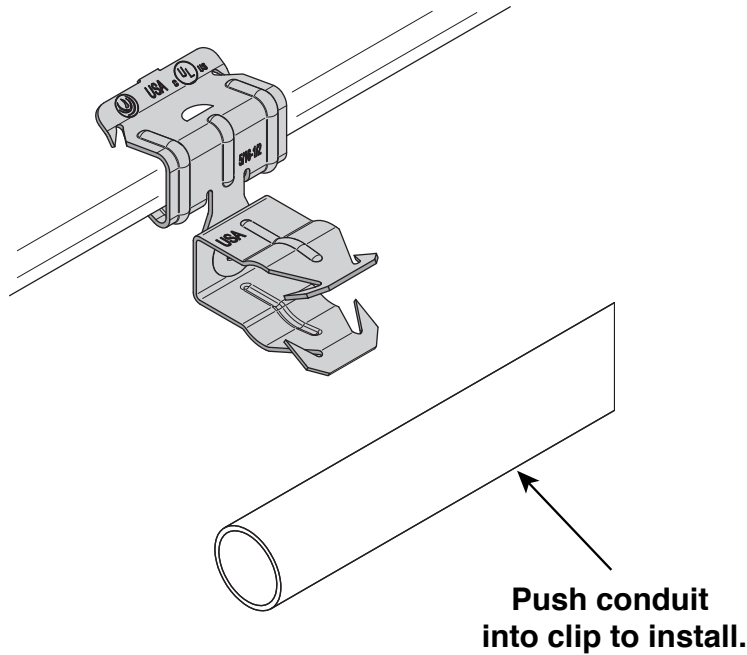
**PHOENIX**  
SUPPORT SYSTEMS

[www.phoenixsupports.com](http://www.phoenixsupports.com) • 800-721-0404

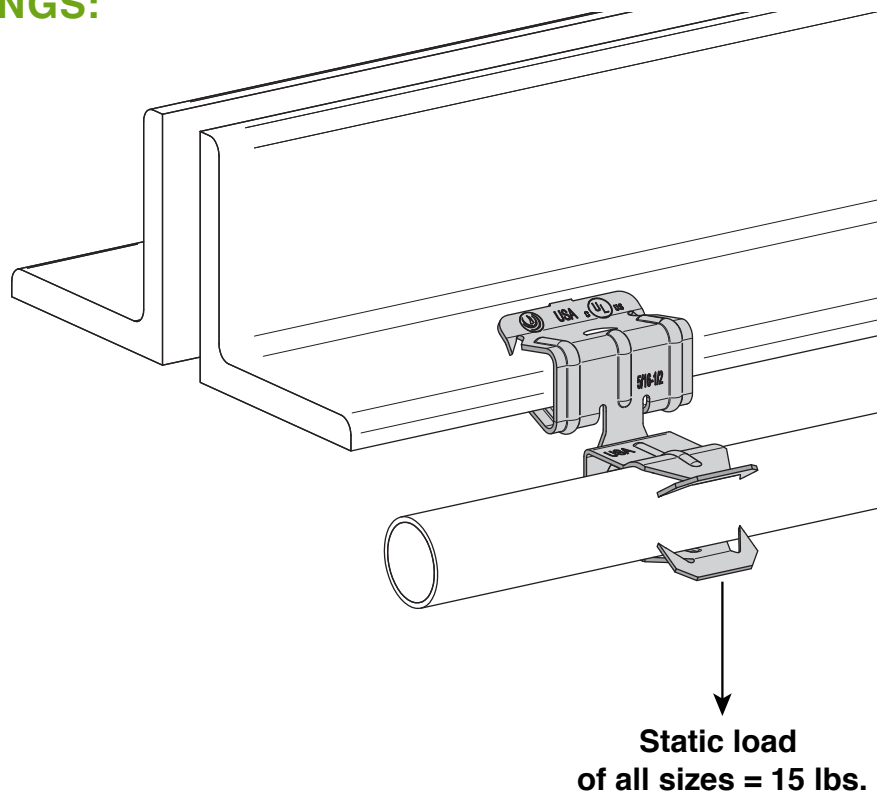
**CUSTOMER RESPONSIBILITIES:** At a minimum the customer(s) is responsible for using industry standard hardware and fasteners, inspecting the structural integrity of the structure to which Phoenix Support Systems products will be attached, conforming to all governing codes and regulations at the job site and following all safety precautions related to the work being performed.

**WARNING:** Phoenix Support Systems products must never be used for purposes other than those for which they were designed or in any way that exceeds published load ratings. All load ratings are for static conditions and do not account for dynamic loading such as wind, water or seismic loads. Phoenix Support Systems products must be installed and used only as indicated in Phoenix Support Systems installation and instruction sheets. Improper installation, misuse, misapplication or any other failure to completely follow Phoenix Support System's instructions could lead to decreased load rating, product failure, property damage, injury or even death.

**INSTALLATION:**



**LOAD RATINGS:**



Phoenix Support Systems  
931 Summit Avenue  
Niles, Ohio 44446, USA  
Fax: 330-505-9959



**PHOENIX**  
SUPPORT SYSTEMS

Tel: 800-721-0404

[www.phoenixsupports.com](http://www.phoenixsupports.com)

