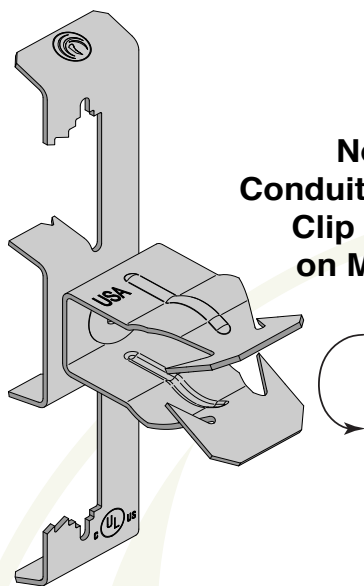


# Installation and Instruction Sheets

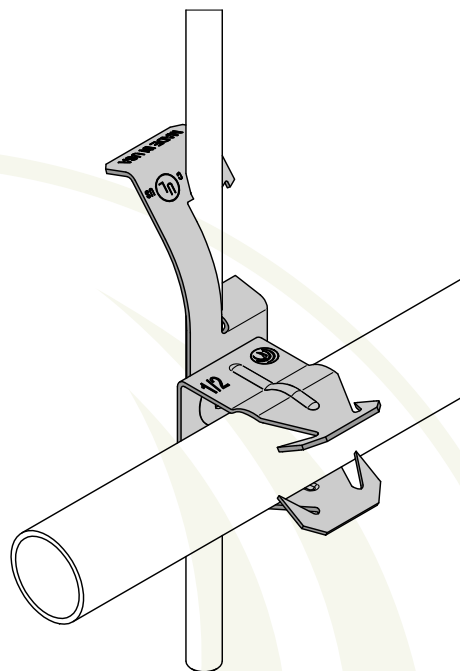
MF CP - MULTI-FUNCTION CLIP AND CONDUIT "PUSH IN" CLIP

SHEET: 1 OF 2  
PCIFUMFCP - R0

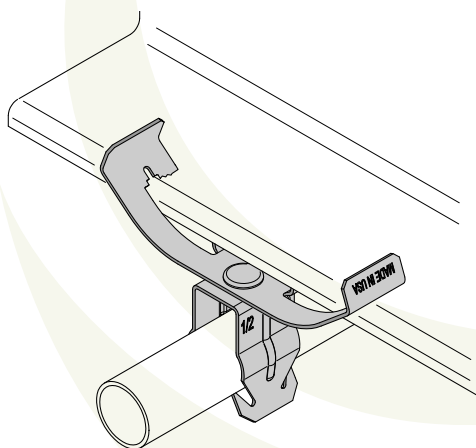


**Note:**  
Conduit "Push In"  
Clip rotates  
on MF clip.

## THREADED ROD INSTALLATION



## FLANGE INSTALLATION



### Notes:

- Dedicated drop wire/rod secured (anchor) at both ends required per NEC 300.11.
- For horizontal conduit runs only.
- See page 2 for local ratings and common installations.
- For wet or dry applications.

Multi-function clips are for single use only.

Revision: 0

Catalog Number	Flange Thickness	Threaded Rod Size	Conduit Size
MF CP8	1/8" - 3/8"	1/4" Threaded Rod	1/2" EMT
MF CP12	1/8" - 3/8"	1/4" Threaded Rod	3/4" EMT, 1/2" Rigid/IMC
MF CP16	1/8" - 3/8"	1/4" Threaded Rod	1" EMT, 3/4" Rigid/IMC



Made in USA

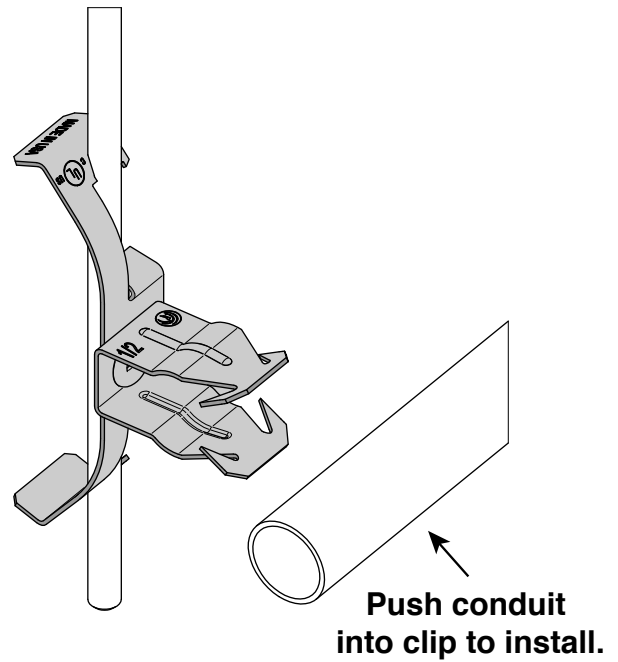
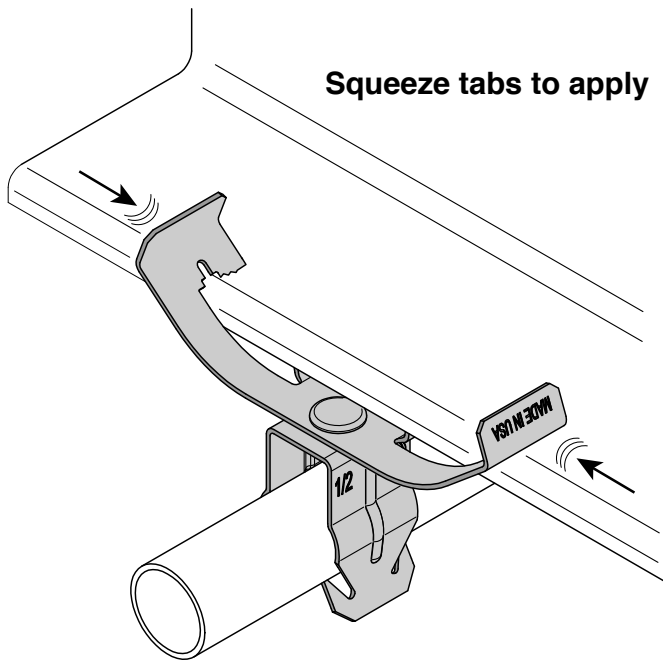


**PHOENIX**  
SUPPORT SYSTEMS

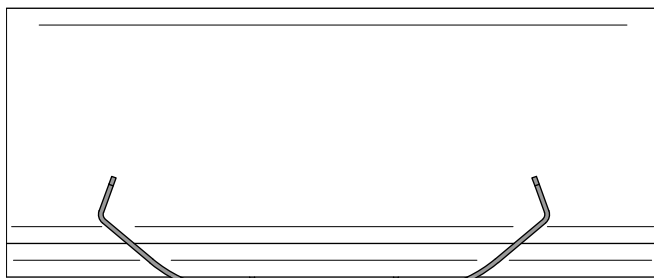
[www.phoenixsupports.com](http://www.phoenixsupports.com) • 800-721-0404

**CUSTOMER RESPONSIBILITIES:** At a minimum the customer(s) is responsible for using industry standard hardware and fasteners, inspecting the structural integrity of the structure to which Phoenix Support Systems products will be attached, conforming to all governing codes and regulations at the job site and following all safety precautions related to the work being performed.

**WARNING:** Phoenix Support Systems products must never be used for purposes other than those for which they were designed or in any way that exceeds published load ratings. All load ratings are for static conditions and do not account for dynamic loading such as wind, water or seismic loads. Phoenix Support Systems products must be installed and used only as indicated in Phoenix Support Systems installation and instruction sheets. Improper installation, misuse, misapplication or any other failure to completely follow Phoenix Support System's instructions could lead to decreased load rating, product failure, property damage, injury or even death.

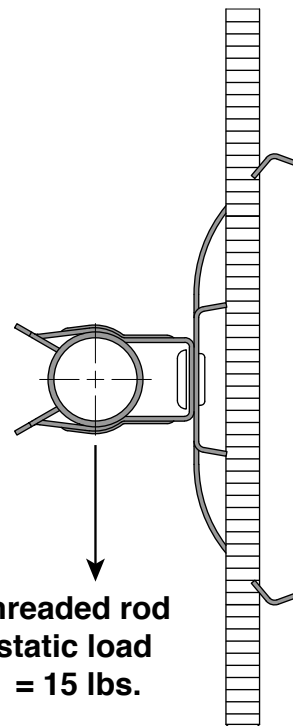


**HORIZONTAL FLANGE**



Horizontal flange  
static load = 25 lbs.

**VERTICAL ROD**



Threaded rod  
static load  
= 15 lbs.

Phoenix Support Systems  
931 Summit Avenue  
Niles, Ohio 44446, USA  
Fax: 330-505-9959



**PHOENIX**  
SUPPORT SYSTEMS

Tel: 800-721-0404

[www.phoenixsupports.com](http://www.phoenixsupports.com)

