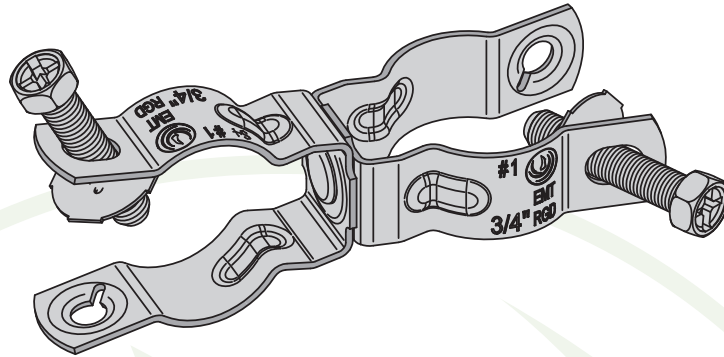


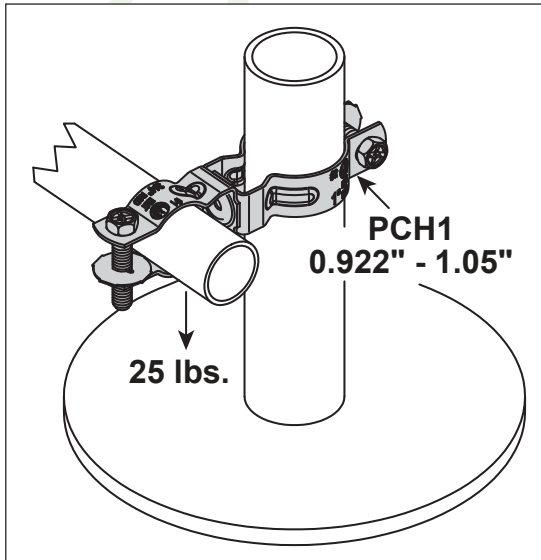
Installation and Instruction Sheets

PCH PCH - PIPE AND CONDUIT HANGER WITH PIPE AND CONDUIT HANGER

SHEET: 1 OF 2
PCIFUPCHPCH - R1



TYPICAL INSTALLATION:



Catalog No.	Trade Size	Conduit Size		Box Qty.
		EMT	Rigid	
PCH1-0	0	1/2"	3/8", 1/2"	50
PCH1-1	1	3/4"	3/4"	50
PCH1-2	2	1"	1"	50
PCH1-2.5	2.5	1-1/4"	-	50
PCH1-3	3	1-1/2"	1-1/4"	50

Notes:

- Support conduit and pipe from 1" O.D. computer floor pedestals.
- Retained combo head screw allows Robertson, Phillips/slotted, and hex drivers.
- Conduit clip rotates 360 degrees.
- Remove plastic washer when installing into air handling spaces (Plenums).
- Standard finish is Galvanized Steel. Also available in 304, 316 Stainless Steel.
- **Material:** Steel
- **Finish:** Pregalvanized

Revision: 1



Made in USA



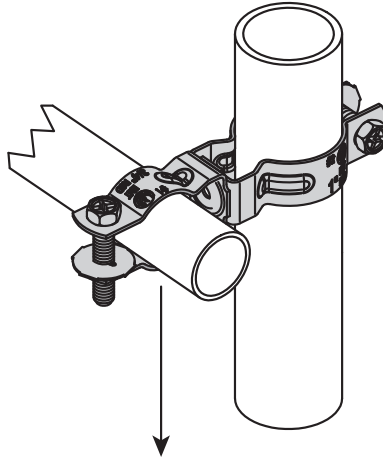
PHOENIX
SUPPORT SYSTEMS

www.phoenixsupports.com • 800-721-0404

CUSTOMER RESPONSIBILITIES: At a minimum the customer(s) is responsible for using industry standard hardware and fasteners, inspecting the structural integrity of the structure to which Phoenix Support Systems products will be attached, conforming to all governing codes and regulations at the job site and following all safety precautions related to the work being performed.

WARNING: Phoenix Support Systems products must never be used for purposes other than those for which they were designed or in any way that exceeds published load ratings. All load ratings are for static conditions and do not account for dynamic loading such as wind, water or seismic loads. Phoenix Support Systems products must be installed and used only as indicated in Phoenix Support Systems installation and instruction sheets. Improper installation, misuse, misapplication or any other failure to completely follow Phoenix Support System's instructions could lead to decreased load rating, product failure, property damage, injury or even death.

INSTALLATION: FIT CONDUIT INTO CLIP, TIGHTEN SCREW AS NEEDED.



Static load = 25 lbs.



Phoenix Support Systems
931 Summit Avenue
Niles, Ohio 44446, USA
Fax: 330-505-9959



PHOENIX
SUPPORT SYSTEMS

Tel: 800-721-0404

www.phoenixsupports.com

