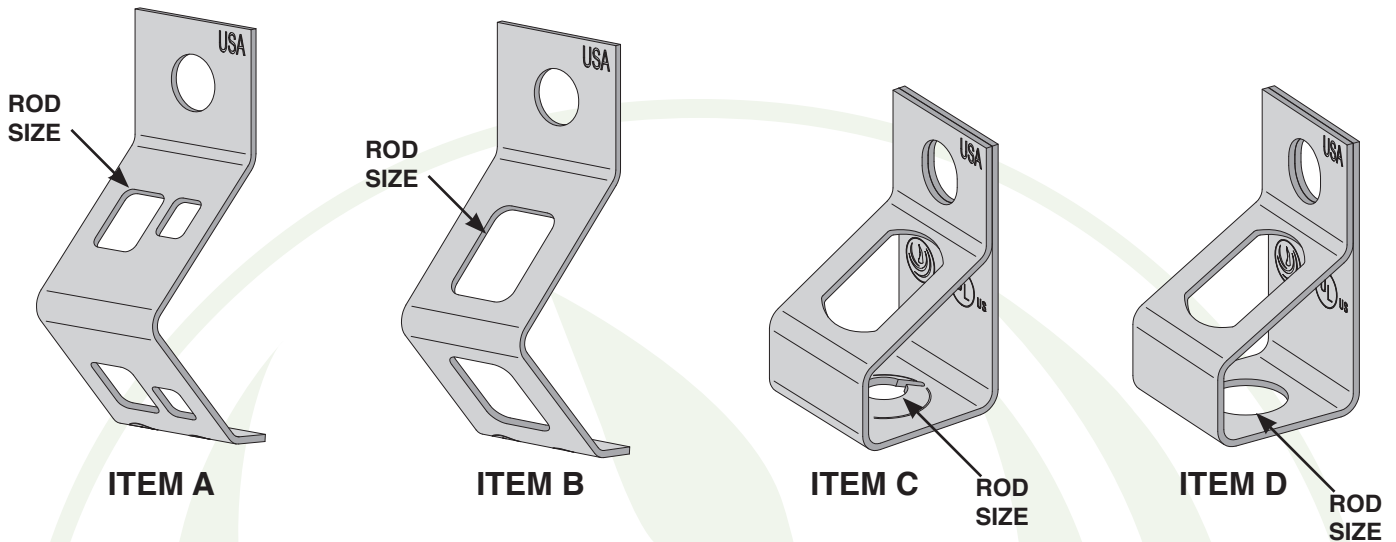


Installation and Instruction Sheets

RP RT - ROD HANGER PUSH INSTALL OR ROD HANGER THREAD INSTALL

SHEET: 1 OF 2



Item	Catalog Number	Rod Size
A	RP4	#8 Wire or 1/4" Plain or Threaded Rod
B	RP6	3/8" Plain or Threaded Rod
C	RT4T	1/4-20 Thread Form
C	RT6T	3/8-16 Thread Form
D *	RT6	13/32" Thru Hole for 1/4" or 3/8" Threaded Rod

* Nuts sold separately

Notes:

- See sheet 2 for common installation and load rating.
- For wet or dry applications.



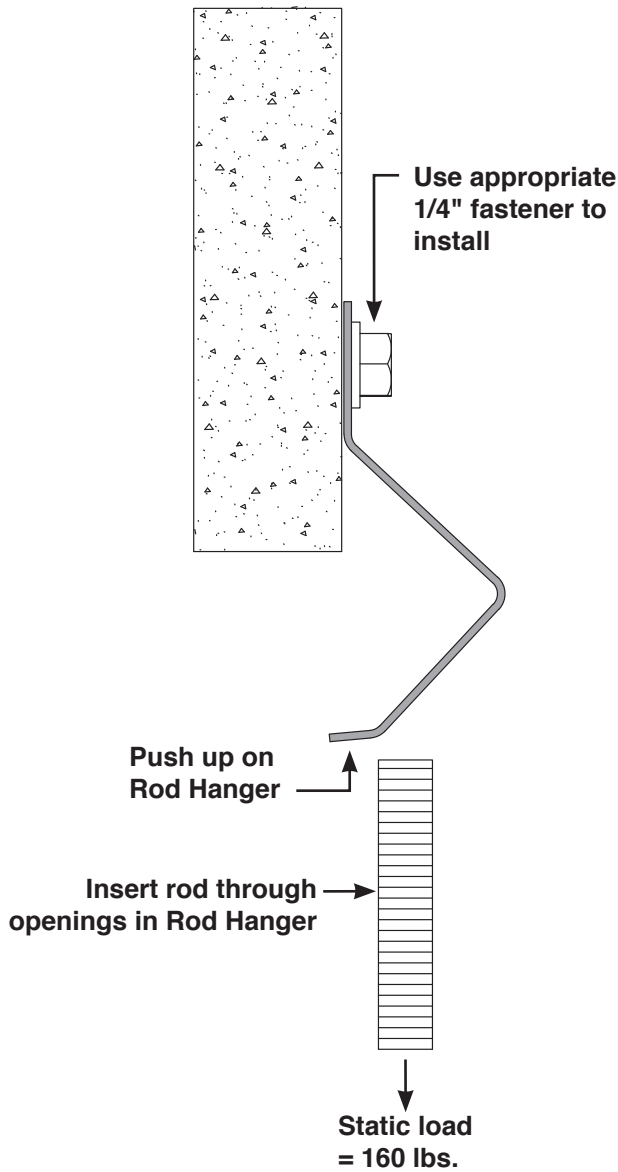
Revision: 1

www.phoenixsupports.com • 800-721-0404

CUSTOMER RESPONSIBILITIES: At a minimum the customer(s) is responsible for using industry standard hardware and fasteners, inspecting the structural integrity of the structure to which Phoenix Support Systems products will be attached, conforming to all governing codes and regulations at the job site and following all safety precautions related to the work being performed.

WARNING: Phoenix Support Systems products must never be used for purposes other than those for which they were designed or in any way that exceeds published load ratings. All load ratings are for static conditions and do not account for dynamic loading such as wind, water or seismic loads. Phoenix Support Systems products must be installed and used only as indicated in Phoenix Support Systems installation and instruction sheets. Improper installation, misuse, misapplication or any other failure to completely follow Phoenix Support System's instructions could lead to decreased load rating, product failure, property damage, injury or even death.

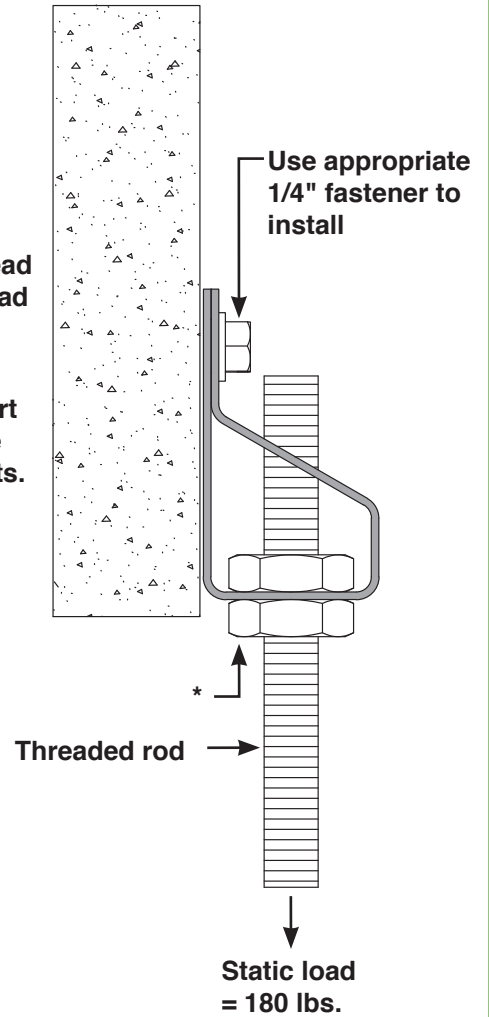
ITEM A & B:



ITEM C & D:

ITEM C: Thread rod through thread form in fastener.

ITEM D: Insert rod through hole and tighten 2 nuts.



* Nuts sold separately

Phoenix Support Systems
931 Summit Avenue
Niles, Ohio 44446, USA
Fax: 330-505-9959



Tel: 800-721-0404

www.phoenixsupports.com

