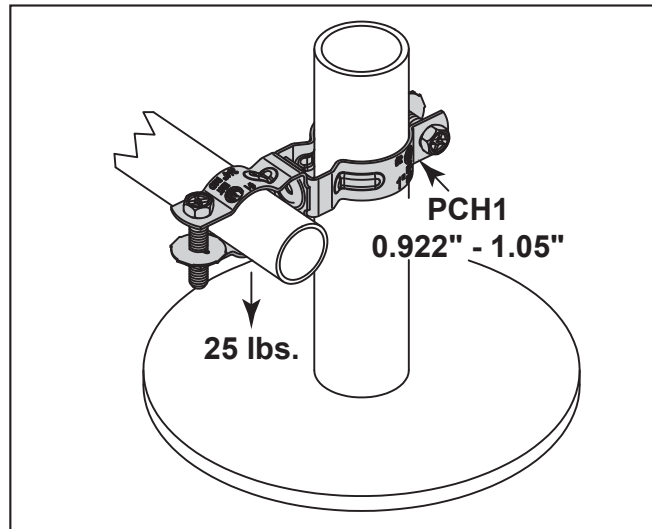
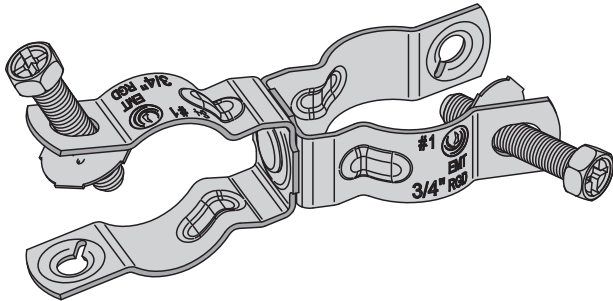


Available Finishes / Materials:

- PG -- Pre-Galvanized zinc
- S4 -- 304 stainless steel
- S6 -- 316 stainless steel

Standard Finish: PG



- Supports conduit and pipe from 1" O.D. computer floor pedestals.
- Retained combo head screw allows Robertson, Phillips/Slotted and Hex drivers.
- Conduit clip rotates 360 degrees.
- Suitable for air handling spaces (plenums) (remove washer at assembly)
- Standard finish is Galvanized Steel, Also available in 304 and 316 Stainless Steel.
- **Material:** Steel
- **Finish:** Pregalvanized

| Catalog No. | Trade Size | Conduit Size |            | Box Qty |
|-------------|------------|--------------|------------|---------|
|             |            | EMT          | Rigid      |         |
| PCH1-0      | 0          | 1/2"         | 3/8", 1/2" | 50      |
| PCH1-1      | 1          | 3/4"         | 3/4"       | 50      |
| PCH1-2      | 2          | 1"           | 1"         | 50      |
| PCH1-2.5    | 2.5        | 1-1/4"       | -          | 50      |
| PCH1-3      | 3          | 1-1/2"       | 1-1/4"     | 50      |

### Material Specifications and Finishes

Carbon Steel – ASTM A1011-00 SS GR 33 or ASTM A1011-00CS Type B  
 PG – ASTM A653 G-90 Pre-galvanized zinc is produced by continuously rolling steel coils or sheets through molten zinc at the mills. The coils or sheets are slit to size and fabricated by forming, shearing or punching to produce the finished product. During fabrication cut edges are not generally zinc coated; however, the zinc near the uncoated metal becomes a sacrificial anode to protect the bare areas

S4 – 304 Stainless Steel – ASTM A240 (Type 304)

S6 – 316 Stainless Steel – ASTM A240 (Type 316),  
 316 Stainless Steel Nuts – ASTM A276-03

Note: Specifications subject to change without notice.

|                      |                 |               |
|----------------------|-----------------|---------------|
| <b>Project:</b>      | <b>Date:</b>    | <b>Phone:</b> |
| <b>Submitted By:</b> | <b>Address:</b> |               |
| <b>Comment</b>       |                 |               |