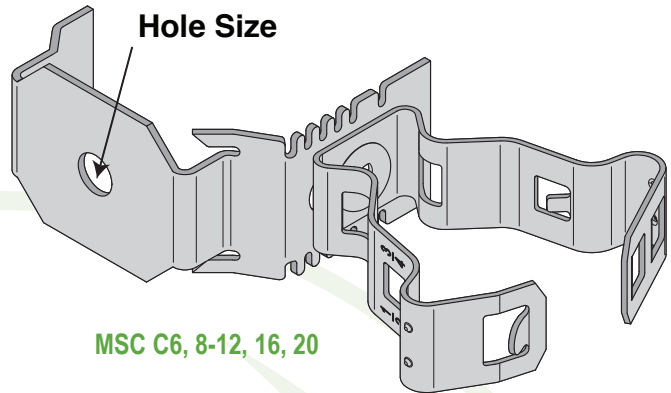
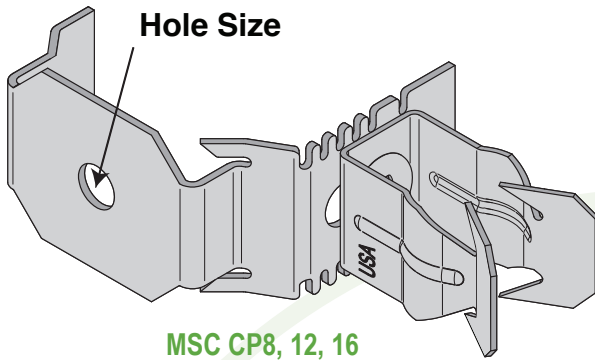


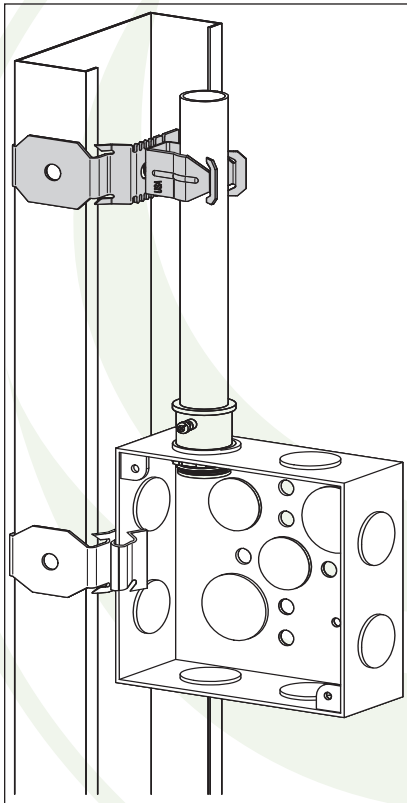
Installation and Instruction Sheets

MSC CP C - METAL STUD CLIP WITH CONDUIT "PUSH IN" CLIP, CONDUIT CLIP

SHEET: 1 OF 2
PCIFUMSCCPC - R4



TYPICAL INSTALLATION



Catalog Number	Hole Size	Conduit Size
MSC CP8	9/32"	1/2" EMT
MSC CP12	9/32"	3/4" EMT, 1/2" Rigid/IMC
MSC CP16	9/32"	1" EMT, 3/4" Rigid/IMC
MSC C6	9/32"	3/8" Flexible Conduit
MSC C8-12 *	9/32"	1/2" EMT, IMC, Rigid 3/4" EMT, IMC, Rigid
MSC C16 *	9/32"	1" EMT, Rigid
MSC C20 *	9/32"	1-1/4" EMT, Rigid



Made in USA

Notes:

- See sheet 2 for common installations.
- For use with 1.2" thru 1.4" wide studs.
- For wet or dry applications.
- For position only.

Revision: R4



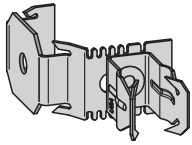
PHOENIX
SUPPORT SYSTEMS

www.phoenixsupports.com • 800-721-0404

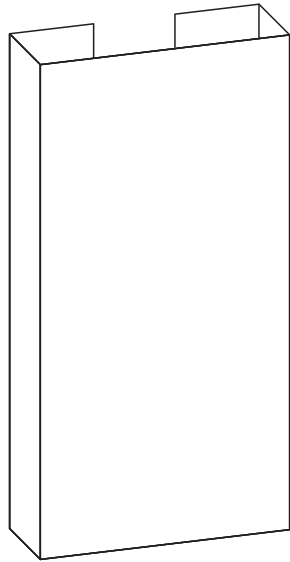
CUSTOMER RESPONSIBILITIES: At a minimum the customer(s) is responsible for using industry standard hardware and fasteners, inspecting the structural integrity of the structure to which Phoenix Support Systems products will be attached, conforming to all governing codes and regulations at the job site and following all safety precautions related to the work being performed.

WARNING: Phoenix Support Systems products must never be used for purposes other than those for which they were designed or in any way that exceeds published load ratings. All load ratings are for static conditions and do not account for dynamic loading such as wind, water or seismic loads. Phoenix Support Systems products must be installed and used only as indicated in Phoenix Support Systems installation and instruction sheets. Improper installation, misuse, misapplication or any other failure to completely follow Phoenix Support System's instructions could lead to decreased load rating, product failure, property damage, injury or even death.

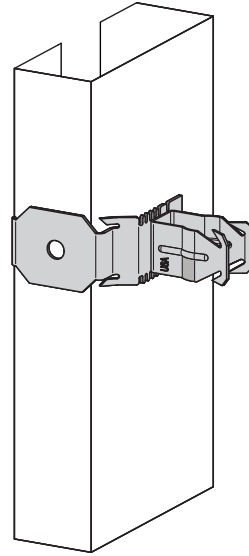
STEP 1:



Snap onto metal stud.
Use appropriate
fastener in center hole
for additional support.

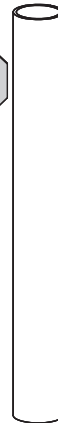


STEP 2: CONDUIT "PUSH IN" CLIP



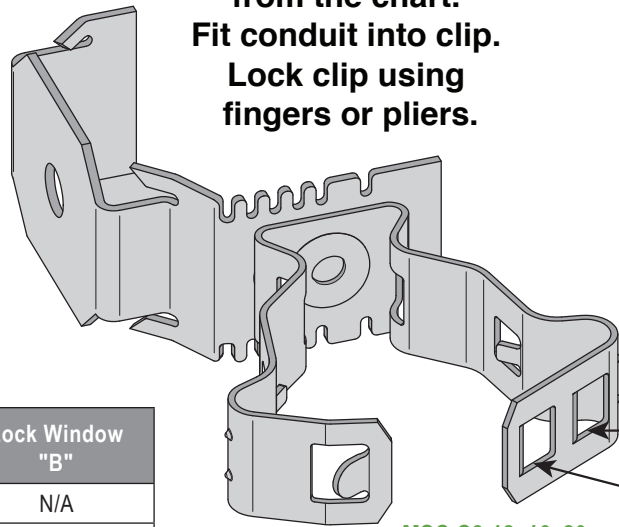
MSC CP8, 12, 16

Push conduit
into clip
to install.



STEP 2: CONDUIT CLIP

Verify lock window
from the chart.
Fit conduit into clip.
Lock clip using
fingers or pliers.



MSC C8-12, 16, 20

Catalog Number	Lock Window "A"	Lock Window "B"
C86	3/8" Flexible Conduit	N/A
C8-12	1/2" Rigid 3/4" EMT, IMC, Rigid	1/2" EMT, IMC
C16	1" EMT, Rigid	N/A
C20	1-1/4" Rigid	1-1/4" EMT

