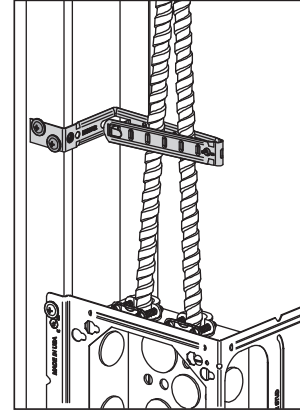
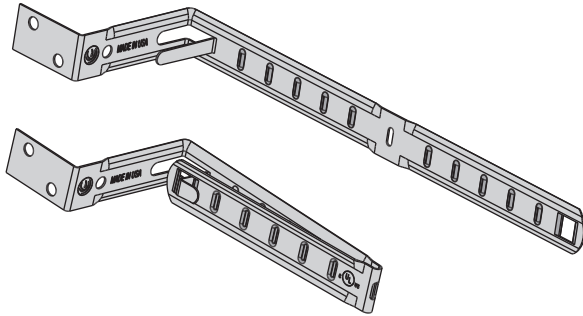


Available Finishes / Materials:

PG -- Pre-Galvanized zinc

Standard Finish: PG



- Integral ribs used to maintain cable separation.
- Complies with NEC 300.4(D).
- For use with wood and metal studs.
- Use with STS8 screws, see page 72.
- **Material:** Steel
- **Finish:** Pregalvanized

Catalog No.	Cable Type	Cable Size	Cables per Fastener	Description	Box Qty
CSS	Romex™ and Non-Metallic Sheathed Cable	14-2, 12-2, 10-2, 14-3, 12-3, and *10-3 with ground	6 Max.	To Attach Romex Non-Metallic Sheathed Cable, AC, BX, and MC Cable to Wood or Metal Stud	100
		8-2 and 6-2 with ground	4 Max.		
	Metal Clad (MC) Cable	14-2, 12-2, 10-2, 14-3, 12-3, *10-3, 14-4, 12-4, and 10-4 with ground	4 Max.		

\*Not UL Listed for use with 10-3 cable size

## Material Specifications and Finishes

Carbon Steel – ASTM A1011-00 SS GR 33 or ASTM A1011-00CS Type B

PG – ASTM A653 G-90 Pre-galvanized zinc is produced by continuously rolling steel coils or sheets through molten zinc at the mills. The coils or sheets are slit to size and fabricated by forming, shearing or punching to produce the finished product. During fabrication cut edges are not generally zinc coated; however, the zinc near the uncoated metal becomes a sacrificial anode to protect the bare areas.

Note: Specifications subject to change without notice.

<b>Project:</b>	<b>Date:</b>	<b>Phone:</b>
<b>Submitted By:</b>	<b>Address:</b>	
<b>Comment</b>		