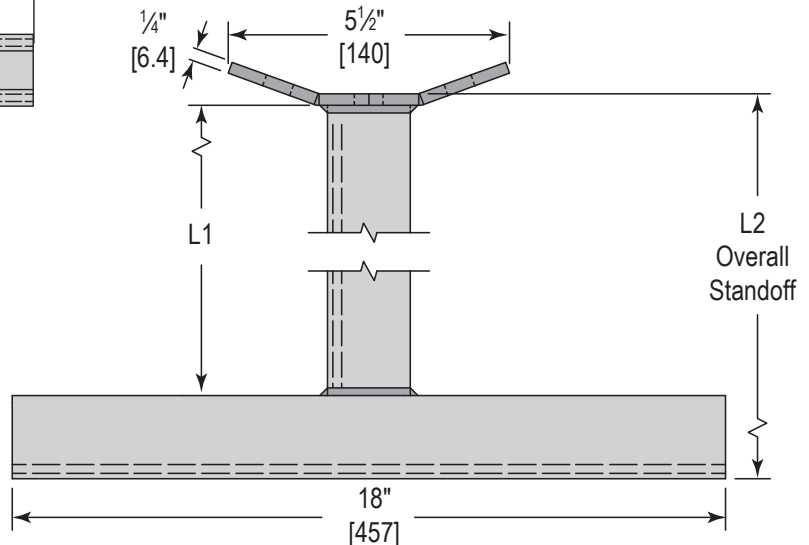
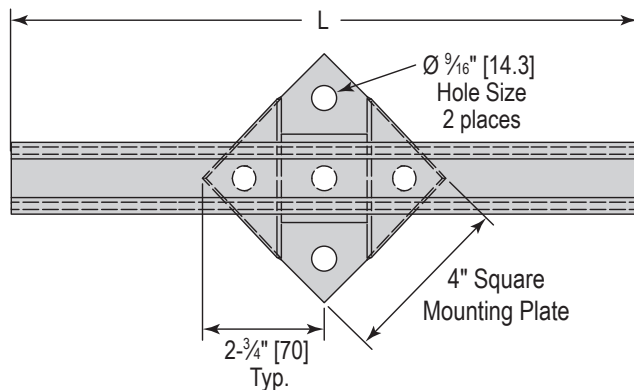
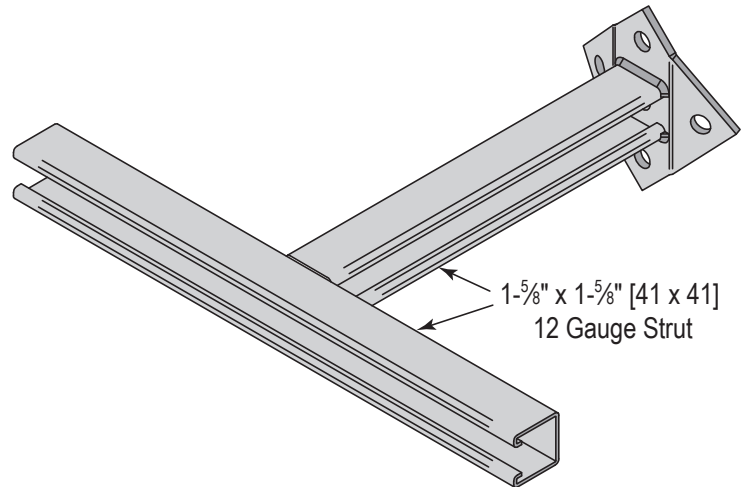


Available Finishes / Materials:

- HD -- Hot dipped galvanized
- S4 -- 304 stainless steel
- S6 -- 306 stainless steel

Standard Finish: HD

- Made with 1-5/8" x 1-5/8" 12 gauge strut channel
- Standard Finish - Hot Dipped Galvanized
- Conduit can be clamped using standard strut straps in multiple positions
- Available in 304 or 316 stainless steel upon request
- One piece design allows for easy installation (lag screws not supplied)



Catalog Number	Length of Strut		Wt. lbs
	in	mm	
PB6 1218HD	12"	305	5.74
PB6 1818HD	18"	457	6.70
PB6 2418HD	24"	610	7.65
PB6 3618HD	36"	914	9.57

Material is 1 5/8" [41.3] wide x 1/4" [6.3] thick unless specified. Holes are 9/16" (14.3) diameter, 13/16" [20.6] center to edge on 1 7/8" [47.6] centers unless specified.

Material Specifications and Finishes

Carbon Steel – ASTM A1011-00 SS GR 33 or ASTM A1011-00CS Type B

HD – Hot Dip Galvanized After Fabrication. Fabricated product is dipped in molten zinc and is completely covered on all surfaces. Recommended for outdoor use. Coatings on Phoenix HD products meet ASTM A123/153. The zinc coating is typically 2.6 mils [66.0 μm] or 1.5 oz. per square foot [0.46 kg per square meter] per side.

S4 – 304 Stainless Steel – ASTM A240 (Type 304)

S6 – 316 Stainless Steel – ASTM A240 (Type 316),
316 Stainless Steel Nuts – ASTM A276-03

Note: Specifications subject to change without notice.

Project:	Date:	Phone:
Submitted By:	Address:	
Comment		