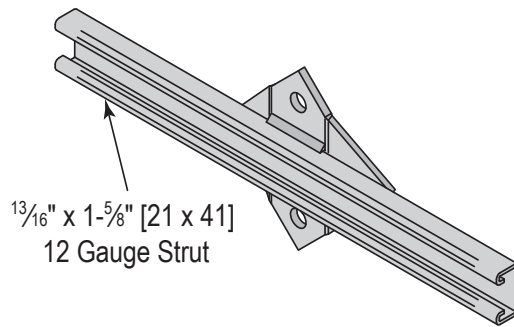
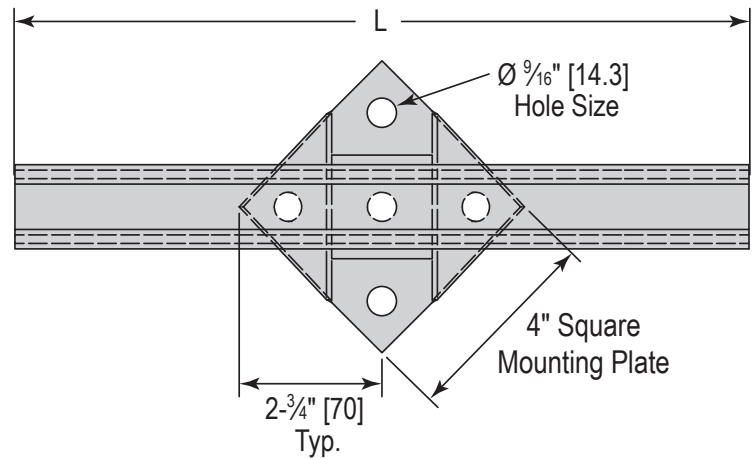


Available Finishes / Materials:

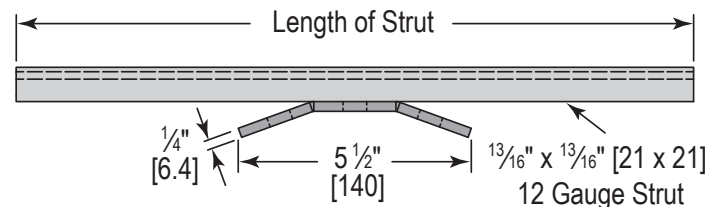
- HD -- Hot dipped galvanized
- S4 -- 304 stainless steel
- S6 -- 306 stainless steel

Standard Finish: HD

- Made with $1\frac{3}{16}$ " x $1\frac{3}{16}$ " 12 gauge strut
- Standard Finish - Hot Dipped Galvanized
- Conduit can be clamped using standard strut straps in Multiple positions
- Available in 304 or 316 stainless steel upon request
- One piece design allows for easy installation (lag screws not supplied)



Catalog Number	Length of Strut		Wt. lbs
	in	mm	
PB9 0800HD	8"	203	1.85
PB9 1200HD	12"	305	2.30
PB9 1600HD	16"	406	2.74
PB9 1800HD	18"	457	2.96



Material is $1\frac{5}{8}$ " [41.3] wide x $\frac{1}{4}$ " [6.3] thick unless specified. Holes are $\frac{9}{16}$ " (14.3) diameter, $1\frac{3}{16}$ " [20.6] center to edge on $1\frac{7}{8}$ " [47.6] centers unless specified.

Material Specifications and Finishes

Carbon Steel – ASTM A1011-00 SS GR 33 or ASTM A1011-00CS Type B

HD – Hot Dip Galvanized After Fabrication. Fabricated product is dipped in molten zinc and is completely covered on all surfaces. Recommended for outdoor use. Coatings on Phoenix HD products meet ASTM A123/153. The zinc coating is typically 2.6 mils [66.0 μm] or 1.5 oz. per square foot [0.46 kg per square meter] per side.

S4 – 304 Stainless Steel – ASTM A240 (Type 304)

S6 – 316 Stainless Steel – ASTM A240 (Type 316),
316 Stainless Steel Nuts – ASTM A276-03

Note: Specifications subject to change without notice.

Project:	Date:	Phone:
Submitted By:	Address:	
Comment		