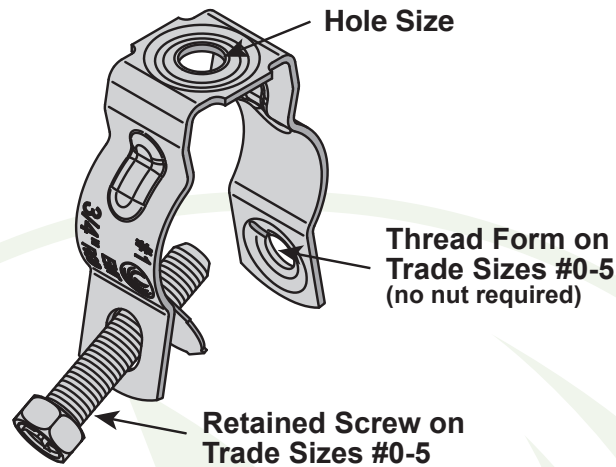


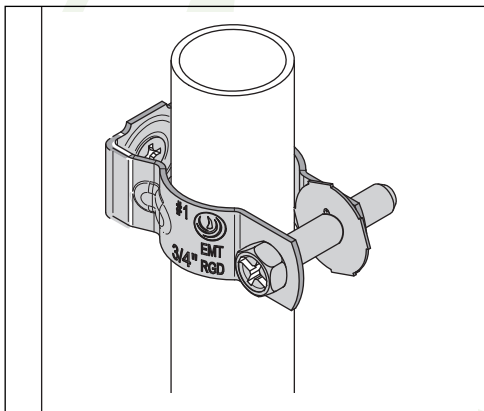
Installation and Instruction Sheets

PCH - PIPE AND CONDUIT HANGER

SHEET: 1 OF 2
PCIFUPCH - R



TYPICAL INSTALLATION:



Notes:

- PCH #0-5 comes with retained combo head screw and thread form.
- Combo head screw allows Robertson, Phillips/slotted, and hex drivers.
- Supports vertical and horizontal installations of 3/8"-4" Pipe and Conduit.
- Remove plastic washer when installing into air handling spaces (Plenums).
- 1/4-20 Thread Form Hole Size available. Add suffix TF to Catalog Number.
- Also available in 304 and 316 Stainless Steel.
- **Material & Finish:** DfY [U` jUninYX GhYY`

Catalog No.	Trade Size	Conduit Size		Hole Size	Box Qty.
		EMT	Rigid		
PCH0	0	1/2"	3/8"	1/4"	100
PCH037			1/2"	3/8"	
PCH1	1	3/4"	3/4"	1/4"	100
PCH137				3/8"	
PCH2	2	1"	1"	1/4"	100
PCH237				3/8"	
PCH2.5	2.5	1-1/4"	-	1/4"	100
PCH2.537				3/8"	
PCH3	3	1-1/2"	1-1/4"	1/4"	100
PCH337				3/8"	
PCH4	4	-	1-1/2"	5/16"	50
PCH437				3/8"	
PCH5	5	2"	2"	5/16"	50
PCH537				3/8"	
PCH6 *	6	2-1/2"	2-1/2"	5/16"	25
PCH7 *	7	3"	3"	5/16"	25
PCH8 *	8	3-1/2"	3-1/2"	5/16"	10
PCH9 *	9	4"	4"	5/16"	10

* PCH6,7,8,9 are not UL Listed and are EG Finish with a panhead, hex nut hardware
PCH0-5 for support only of NEC Codes
344.30(B) Rigid Conduit
358.30(b) EMT Conduit



PHOENIX
SUPPORT SYSTEMS

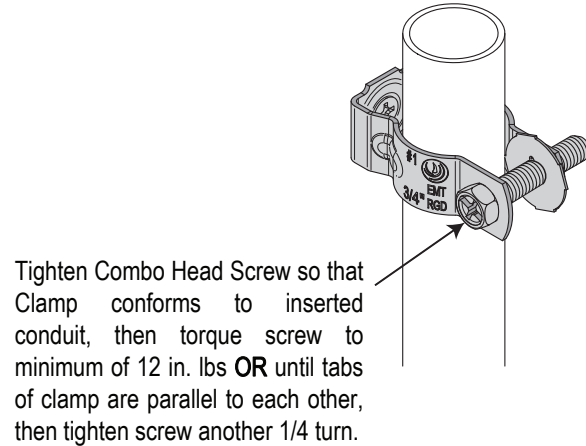
Revision:

www.phoenixsupports.com • 800-721-0404

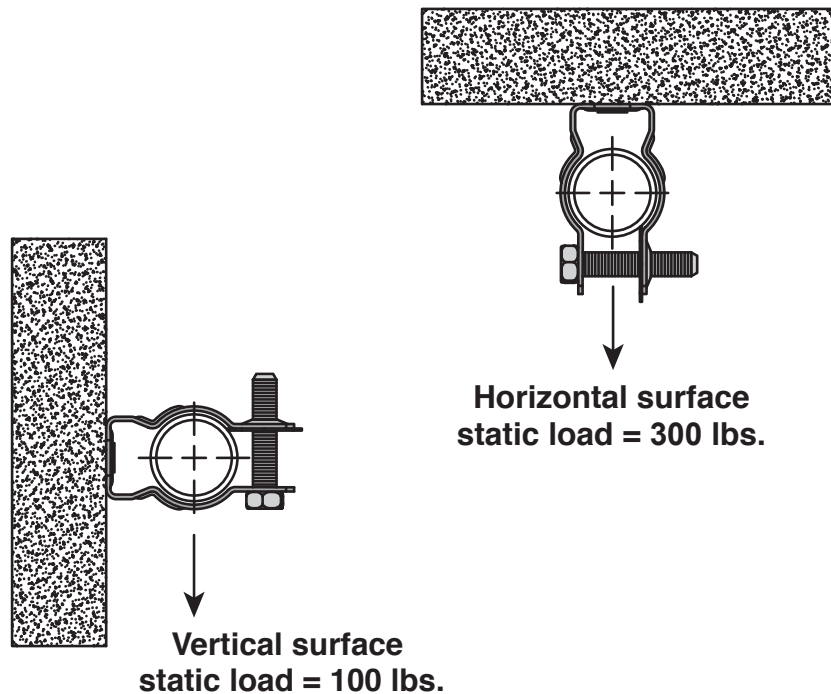
CUSTOMER RESPONSIBILITIES: At a minimum the customer(s) is responsible for using industry standard hardware and fasteners, inspecting the structural integrity of the structure to which Phoenix Support Systems products will be attached, conforming to all governing codes and regulations at the job site and following all safety precautions related to the work being performed.

WARNING: Phoenix Support Systems products must never be used for purposes other than those for which they were designed or in any way that exceeds published load ratings. All load ratings are for static conditions and do not account for dynamic loading such as wind, water or seismic loads. Phoenix Support Systems products must be installed and used only as indicated in Phoenix Support Systems installation and instruction sheets. Improper installation, misuse, misapplication or any other failure to completely follow Phoenix Support System's instructions could lead to decreased load rating, product failure, property damage, injury or even death.

INSTALLATION: FIT CONDUIT INTO CLIP, TIGHTEN SCREW.



LOAD DATA:



Phoenix Support Systems
931 Summit Avenue
Niles, Ohio 44446, USA
Fax: 330-505-9959



Tel: 800-721-0404
www.phoenixsupports.com

